

Jinbo Marine

Marine & Offshore Equipment Datasheet

PRODUCT DATASHEET

FOG HORN & ELECTRIC HORN CONTROL SYSTEM

WD-M Mechanical For Fog Horn

WD-M Mechanical For Fog Horn 1) Chapter 3 of Part 4 of the "Steel Ship Classification Rules" of the China Classification Society; 2) Annex III of Convention on The International Regulations for Preventing Collision...

ISO9001 Supplier

Class Certificate

Export Supply



Key Highlights

Category	Fog Horn & Electric Horn Control System
Standard	EN
Material	WD-M Mechanical For Fog Horn 1) Chapter 3 of Part 4 of the "Steel Ship Cl...
Certificate	ABS, LR, BV, DNVGL, NK, KR, IRS, RMRS, CCS

We can supply according to your requirement, drawings, class certificate needs, and delivery schedule.

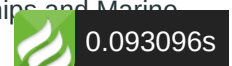
Technical Specifications

Category	Fog Horn & Electric Horn Control System	Model / SKU	WD-M-Mechanical-For-Fog-Horn
Standard	EN	Material	WD-M Mechanical For Fog Horn 1) Chapter 3 of Part 4 of the "Steel Ship Classification Rules" of the China Classification Society:
Certificate	ABS, LR, BV, DNVGL, NK, KR, IRS, RMRS, CCS	Warranty	12 Months unless specified otherwise
Origin	China		

China WD-M Mechanical For Fog Horn:

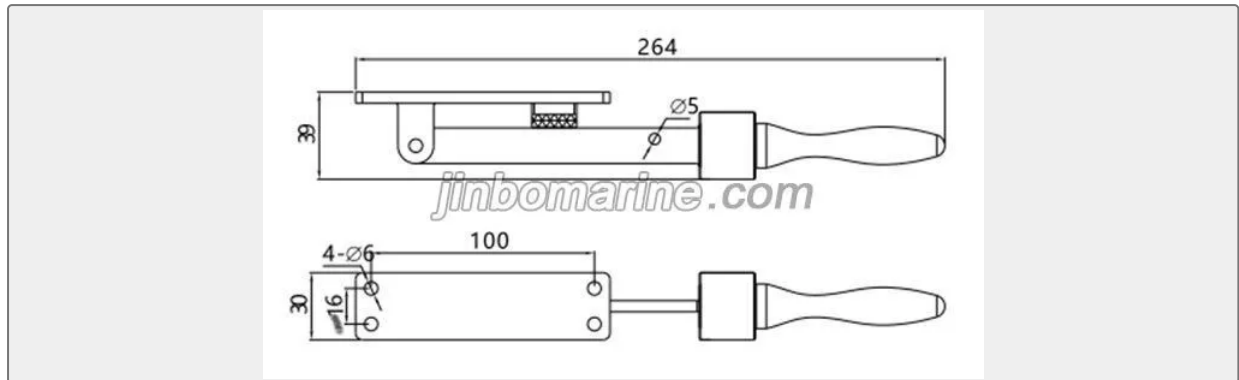
WD-M Mechanical For Fog Horn

- 1) Chapter 3 of Part 4 of the "Steel Ship Classification Rules" of the China Classification Society;
- 2) Annex III of Convention on The International Regulations for Preventing Collision at Sea (COLREG) 1972 and Amendments
- 3) Maritime Administration of the People's Republic of China: "Regulations on Legal Inspection of Ships and Marine"



Facilities-Domestic Navigation Sea Vessels Legal Inspection Regulations' Chapter 13 of Part 4

4) Maritime Administration of the People's Republic of China: "Regulations on Legal Inspection of Ships and Marine Facilities-Domestic Navigation Sea Vessels Legal Inspection Regulations"Chapter 8 of Part 4



Colour:White RAL7035

Shell material: SUS

Function: Manual horn

IP rating: IP56