

# Jinbo Marine

Marine & Offshore Equipment Datasheet

PRODUCT DATASHEET

## EYE BOLTS & NUTS

# Weled Wooden Threaded Eye With Round Ring

SIZE D1 D2 L1 C E T R d d1 8\*3.5 18 ...

ISO9001 Supplier

Class Certificate

Export Supply



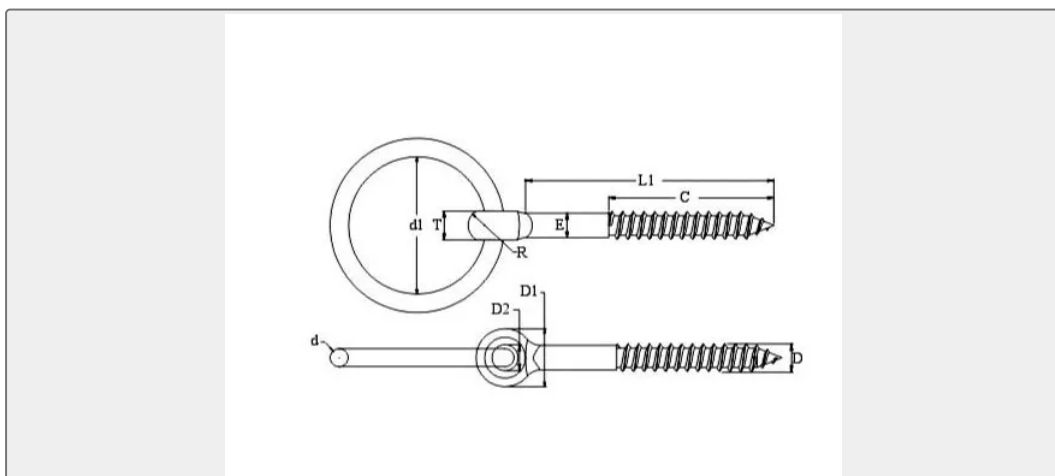
### Key Highlights

Category	Eye Bolts & Nuts
Standard	EN
Material	Stainless steel
Weight / Size	SIZE D1 D2 L1 C E T R d d1 8*3.5 18 8.4 0 40 7.6-8 9 5 7 50 4*1.8 8 4.2 ...
Certificate	ABS, LR, BV, DNVGL, NK, KR, IRS, RMRS, CCS

We can supply according to your requirement, drawings, class certificate needs, and delivery schedule.

Technical Specifications			
Category	Eye Bolts & Nuts	Model / SKU	WELED-WOODEN-THREADED-EYE-WITH-ROUND-RING
Standard	EN	Material	Stainless steel
Weight / Size	SIZE D1 D2 L1 C E T R d d1 8*3.5 18 8.4 0 40 7.6-8 9 5 7 50 4*1.8 8 4.2 45 30 3.6-4 5 3 4 25 5*2.2 10 5.2 50 35 4.6-5 6 3.5 5 30 5*2.2 10 5.2 60 40 4.6-5 6 3.5 5 30 6*2.6 14 6.3 40 30 5.6-6 7 4 6 30 6*2.6 14 6.3 50 35 5.6-6 7 4 6 30 6*2.6 14 6.3 55 40 5.6-6 7 4 6 30 6*2.6 14 6.3 60 40 5.6-6 7 4 6 30 8*3.5 18 8.4 60 40 7.6-8 9 5 8 50 8*3.5 18 8.4 75 50 7.6-8 9 5 8 50 8*3.5 18 8.4 80 55 7.6-8 9 5 8 50 8*3.5 18 8.4 100 65 7.6-8 9 5 8 50 10*4.5 20 10.2 75 50 9.6-10 11 6 10 60 10*4.5 20 10.2 80 55 9.6-10 11 6 10 60 10*4.5 20 10.2 85 60 9.6-10 11 6 10 60 10M.5 20 10.2 100 65 9.6-10 11 6 10 60 10*4.5 20 10.2 120 80 9.6-10 11 6 10 60 12*5.0 24 12.1 100 65 11.6-12 13 8 12 75 12*5.0 24 12.1 120 80 11.6-12 13 8 12 75	Certificate	ABS, LR, BV, DNVGL, NK, KR, IRS, RMRS, CCS
Warranty	12 Months unless specified otherwise	Origin	China

## China Weled Wooden Threaded Eye With Round Ring:



SIZE	D1	D2	L1	C	E	T	R	d	d1
8*3.5	18	8.4	0	40	7.6-8	9	5	7	50

4*1.8	8	4.2	45	30	3.6-4	5	3	4	25
5*2.2	10	5.2	50	35	4.6-5	6	3.5	5	30
5*2.2	10	5.2	60	40	4.6-5	6	3.5	5	30
6*2.6	14	6.3	40	30	5.6-6	7	4	6	30
6*2.6	14	6.3	50	35	5.6-6	7	4	6	30
6*2.6	14	6.3	55	40	5.6-6	7	4	6	30
6*2.6	14	6.3	60	40	5.6-6	7	4	6	30
8*3.5	18	8.4	60	40	7.6-8	9	5	8	50
8*3.5	18	8.4	75	50	7.6-8	9	5	8	50
8*3.5	18	8.4	80	55	7.6-8	9	5	8	50
8*3.5	18	8.4	100	65	7.6-8	9	5	8	50
10*4.5	20	10.2	75	50	9.6-10	11	6	10	60
10*4.5	20	10.2	80	55	9.6-10	11	6	10	60
10*4.5	20	10.2	85	60	9.6-10	11	6	10	60
10M.5	20	10.2	100	65	9.6-10	11	6	10	60
10*4.5	20	10.2	120	80	9.6-10	11	6	10	60
12*5.0	24	12.1	100	65	11.6-12	13	8	12	75
12*5.0	24	12.1	120	80	11.6-12	13	8	12	75