

# Jinbo Marine

Marine &amp; Offshore Equipment Datasheet

PRODUCT DATASHEET

## CLEAR VIEW SCREEN

## WGP2 Marine Horizontal Electrical Window Wiper

WGP2 Type Horizontal Electrical Window Wiper is new type to be used for side scuttles in the pilot house and operating cab. It is powered by an speed-adjustable motor. Its guide rail is made of aluminum alloy,which drive...

ISO9001 Supplier

Class Certificate

Export Supply



### Key Highlights

Category	Clear View Screen
Standard	EN
Material	Its guide rail is made of aluminum alloy,which drives rubber wiper blade...
Weight / Size	Outline Dimension of control box:
Certificate	CCS

We can supply according to your requirement, drawings, class certificate needs, and delivery schedule.

### Technical Specifications

Category	Clear View Screen	Model / SKU	WGP2-Marine-Horizontal-Electrical-Window-Wiper
Standard	EN	Material	Its guide rail is made of aluminum alloy,which drives rubber wiper blade mounted at lower end of stainless steel swing rod.
Weight / Size	Outline Dimension of control box:	Certificate	CCS
Warranty	12 Months unless specified otherwise	Origin	China

#### CONTENTS

- China WGP2 Marine Horizontal Electrical Window Wiper:
- How to Order?
- Main Technical Data

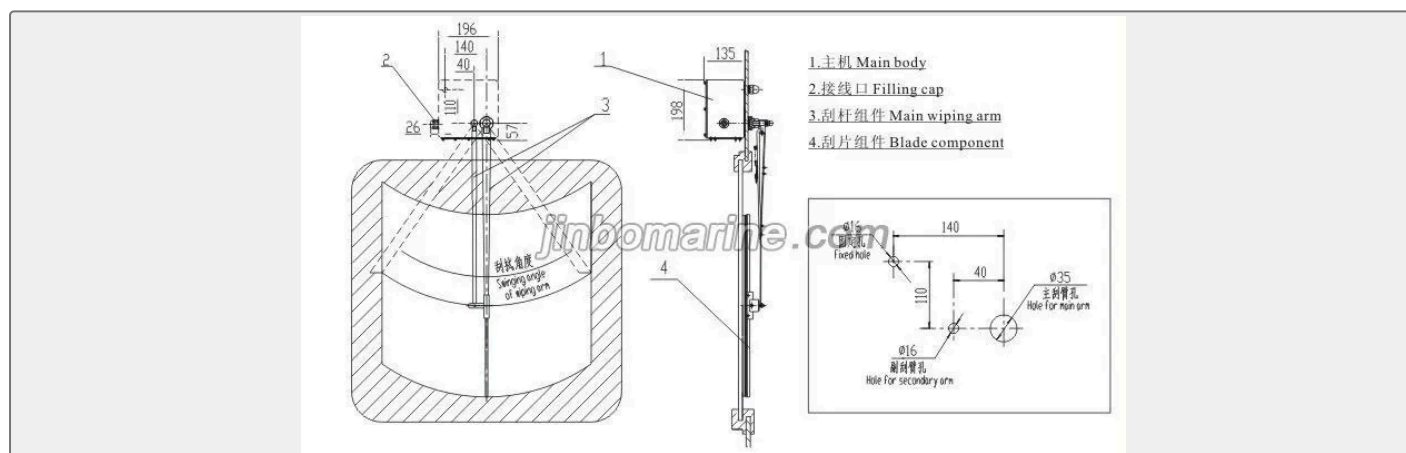


## China WGP2 Marine Horizontal Electrical Window Wiper:

WGP2 Type Horizontal Electrical Window Wiper is new type to be used for side scuttles in the pilot house and operating cab. It is powered by an speed-adjustable motor. Its guide rail is made of aluminum alloy, which drives rubber wiper blade mounted at lower end of stainless steel swing rod.

### Main Technical Data

1. Power Supply: AC220V, AC110V or DC24V.
2. Frequency: 50HZ/60HZ.
3. Wiper Speed: 0.5-1.2M/Sec.
4. Consumed Power of Motor:  $\leq 120W$ .
5. Consumed power of Heater:  $\leq 300W$ .
6. Protection Grade: IP56.
7. Outline Dimension of control box: Box 130x100x132mm, Faceplate: 150x120x4.
8. Power Box External Dimension: Box 250x200x145mm, Mounted Dimension: 280x170.
9. Weight: 26KGS.
10. Optional: Heater, Waterworks, automatic resetting.



Type	Power	Body Length	Wiper Stroke	Arm Length	Blade Length
WGP2-JR	AC220V/AC110V	1000-3000mm	500-2700mm	400-800mm	400-1000mm
WGP-ZR	DC24V				

### How to Order?

1. Please specify the model, swing distance, swing length, blade length, number of swing arms and additional heater.
2. Please specify if special requirement.