

WIRE ROPE CLIP

Wire Rope End Terminsltions, SS304 OR SS316

ISO9001 Supplier

Class Certificate

Export Supply

PAGE SIZE (IN.) STD. PACKAGE QTY. WEIGHT PER100 (lbs) DIMENSIONS(in.) A B C D E

...



Key Highlights

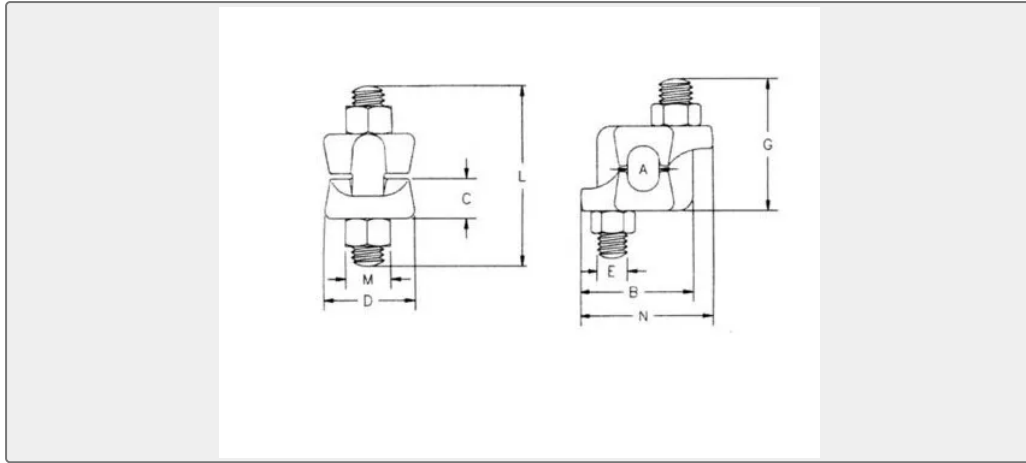
Category	Wire Rope Clip
Standard	EN
Material	Stainless steel
Weight / Size	PAGE SIZE (IN.) STD.
Certificate	ABS, LR, BV, DNVGL, NK, KR, IRS, RMRS, CCS

We can supply according to your requirement, drawings, class certificate needs, and delivery schedule.

Technical Specifications

Category	Wire Rope Clip	Model / SKU	WIRE-ROPE-END-TERMINSLTIONS-SS304-OR-SS316
Standard	EN	Material	Stainless steel
Weight / Size	PAGE SIZE (IN.) STD.	Certificate	ABS, LR, BV, DNVGL, NK, KR, IRS, RMRS, CCS
Warranty	12 Months unless specified otherwise	Origin	China

China Wire Rope End Terminations, SS304 OR SS316:



PAGE SIZE (IN.)	STD. PACKAGE QTY.	WEIGHT PER100 (lbs)	DIMENSIONS(in.)								
			A	B	C	D	E	G	L	M	N
3/16-1/4	100	23	0.25	1.25	0.34	0.94	0.38	1.28	1.63	0.69	1.47
5/16	100	28	0.31	1.34	0.44	1.06	0.38	1.47	1.94	0.69	1.56
3/8	50	40	0.38	1.59	0.50	1.06	0.44	1.81	2.38	0.75	1.88
7/16-1/2	50	62	0.50	1.88	0.56	1.25	0.50	2.19	2.75	0.88	2.19
9/16-5/8	50	103	0.63	2.28	0.69	1.50	0.63	2.69	3.50	1.06	2.63
3/4	25	175	0.750	2.69	0.88	1.81	0.75	2.94	3.75	1.25	3.06
7/8	25	225	0.88	2.97	0.97	2.13	0.75	3.31	4.13	1.25	3.14
1	10	300	1.00	3.06	1.19	2.25	0.75	3.72	4.63	1.25	3.53
1^8	10	400	1.13	3.44	1.28	2.38	0.88	4.19	5.25	1.44	3.91
10	400	1.25	3.56	1.34	2.50	0.88	4.25	5.25	1.44	4.03	
^ \ -Vi2	BULK	700	1.50	4.13	1.56	3.00	1.00	5.56	7.00	1.63	4.66