

# Jinbo Marine

Marine & Offshore Equipment Datasheet

PRODUCT DATASHEET

## EYE BOLTS & NUTS

# Wooden Threaded Eye Screw,SS304 OR SS316

ISO9001 Supplier

Class Certificate

Export Supply

SIZE  $\Phi$  mm A mm B mm C mm D mm L mm M6x40 5.6-6 6.3 7...



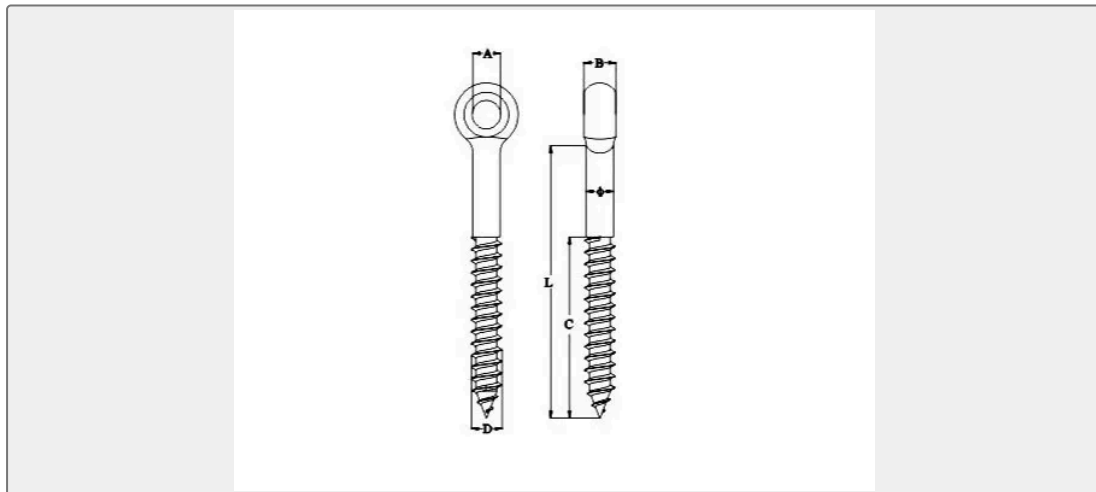
### Key Highlights

Category	Eye Bolts & Nuts
Standard	EN
Material	Stainless steel
Weight / Size	SIZE $\Phi$ mm A mm B mm C mm D mm L mm M6x40 5.6-6 6.3 7 30 6 40 M6x50 5.6-6...
Certificate	ABS, LR, BV, DNVGL, NK, KR, IRS, RMRS, CCS

We can supply according to your requirement, drawings, class certificate needs, and delivery schedule.

Technical Specifications			
Category	Eye Bolts & Nuts	Model / SKU	WOODEN-THREADED-EYE-SCREW-SS304-OR-SS316
Standard	EN	Material	Stainless steel
Weight / Size	SIZE $\Phi$ mm A mm B mm C mm D mm L mm M6x40 5.6-6 6.3 7 30 6 40 M6x50 5.6-6 6.3 7 35 6 50 M6x55 5.6-6 6.3 7 40 6 55 M6x60 5.6-6 6.3 7 40 6 60 M8x60 7.6-8 8.4 9 40 8 60 M8x75 7.6-8 8.4 9 50 8 75 M8x80 7.6-8 8.4 9 55 8 80 M8x100 7.6-8 8.4 9 65 8 100 M10x75 9.6-10 10.2 11 50 10 75 M10x80 9.6-10 10.2 11 55 10 80 M10x85 9.6-10 10.2 11 60 10 85 M10x 100 9.6-10 10.2 11 65 10 100 M10x 120 9.6-10 10.2 11 80 10 120 M12x 100 11.6-12 12.1 13 65 12 100 M12x 120 11.6-12 12.1 13 80 12 120	Certificate	ABS, LR, BV, DNVGL, NK, KR, IRS, RMRS, CCS
Warranty	12 Months unless specified otherwise	Origin	China

## China Wooden Threaded Eye Screw,SS304 OR SS316:



SIZE	$\Phi$ mm	A mm	B mm	C mm	D mm	L mm
M6x40	5.6-6	6.3	7	30	6	40
M6x50	5.6-6	6.3	7	35	6	50
M6x55	5.6-6	6.3	7	40	6	55
M6x60	5.6-6	6.3	7	40	6	60

M8x60	7.6-8	8.4	9	40	8	60
M8x75	7.6-8	8.4	9	50	8	75
M8x80	7.6-8	8.4	9	55	8	80
M8x100	7.6-8	8.4	9	65	8	100
M10x75	9.6-10	10.2	11	50	10	75
M10x80	9.6-10	10.2	11	55	10	80
M10x85	9.6-10	10.2	11	60	10	85
M10x 100	9.6-10	10.2	11	65	10	100
M10x 120	9.6-10	10.2	11	80	10	120
M12x 100	11.6-12	12.1	13	65	12	100
M12x 120	11.6-12	12.1	13	80	12	120