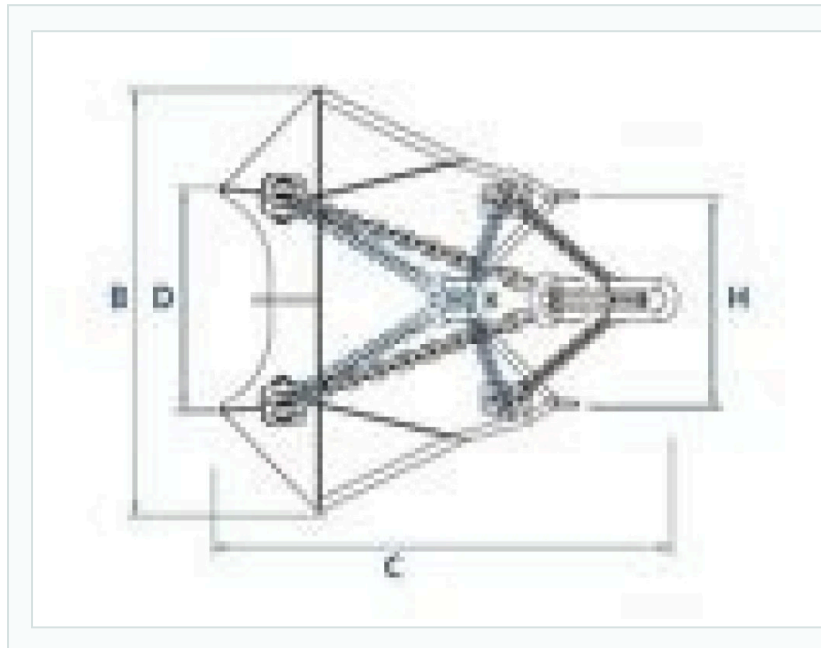


**DRAG ANCHOR**

# WS Vertical Loaded Ancor (VLA) Ancor-----MODU

WS VLA-MODU&nbsp;

- ISO9001 Supplier
- Class Certificate
- Export Supply



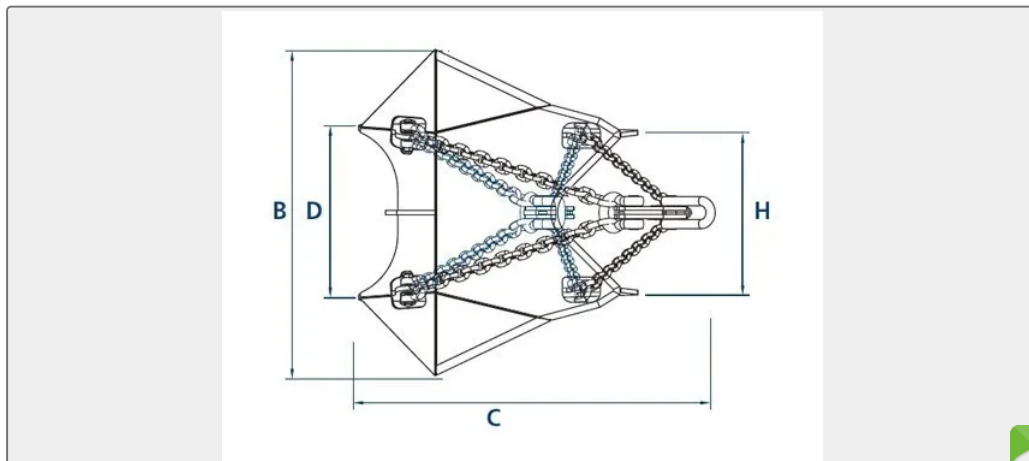
### Key Highlights

<b>Category</b>	Drag Anchor
<b>Material</b>	Steel Plate and Mooring Chains
<b>Certificate</b>	ABS, LR, BV, DNVGL, NK, KR, IRS, RMRS, CCS

We can supply according to your requirement, drawings, class certificate needs, and delivery schedule.

### Technical Specifications

<b>Category</b>	Drag Anchor	<b>Model / SKU</b>	WS-Vertical-Loaded-Ancor-VLA-Ancor-MODU
<b>Material</b>	Steel Plate and Mooring Chains	<b>Certificate</b>	ABS, LR, BV, DNVGL, NK, KR, IRS, RMRS, CCS
<b>Warranty</b>	12 Months unless specified otherwise	<b>Origin</b>	China



# WS VLA-MODU

