

Jinbo Marine

Marine & Offshore Equipment Datasheet

PRODUCT DATASHEET

BUTTERFLY VALVE

Wafer Centric Butterfly Valve with Lever

ISO9001 Supplier

Class Certificate

Export Supply

The Manual Wafer Butterfly Valve is composed of the rubber sealing, disc and stem, used in many industries such as food, medicine, chemical, oil, power, textile, paper..etc to adjust the flow rate or intercept the medium...



Key Highlights

Category	Butterfly Valve
Standard	JIS
Material	Cast Iron, Nodular Iron, Cast Steel, Stainless Steel, Bronze
Weight / Size	Novel,reasonable design, light weight and quick opening & closing 2.Easy...
Certificate	Mill Certificate

We can supply according to your requirement, drawings, class certificate needs, and delivery schedule.

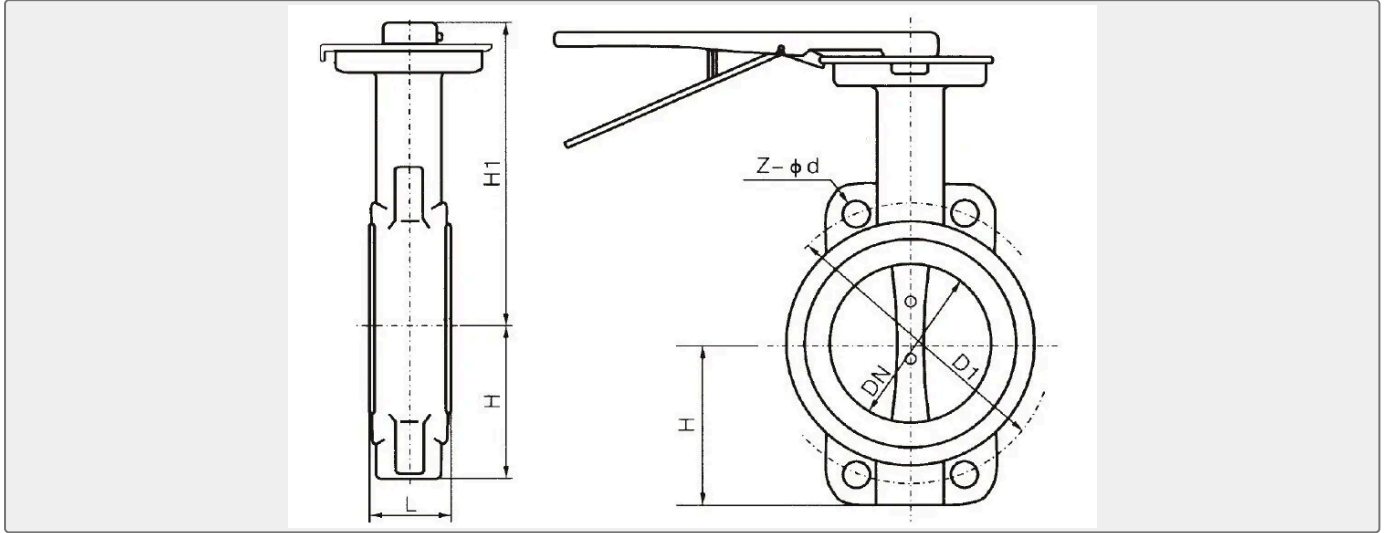
Technical Specifications

Category	Butterfly Valve	Model / SKU	Wafer-Centric-Butterfly-Valve-with-Lever
Standard	JIS	Material	Cast Iron, Nodular Iron, Cast Steel, Stainless Steel, Bronze
Weight / Size	Novel,reasonable design, light weight and quick opening & closing 2.Easy operation,small operation torque 3.Easy maintenance 4.Replacable seal parts, zero leakage on the two ways.	Certificate	Mill Certificate
Warranty	12 Months unless specified otherwise	Origin	China



CONTENTS	■ China Wafer Centric Butterfly Valve with Lever:	■ Features:
	■ Standard:	■ Technical Specifications:
	■ Seal Material:	

China Wafer Centric Butterfly Valve with Lever:



The Manual Wafer Butterfly Valve is composed of the rubber sealing, disc and stem, used in many industries such as food, medicine, chemical, oil, power, textile, paper..etc to adjust the flow rate or intercept the medium in the as or water supply, drainage pipe line.

Features:

1. Novel,reasonable design, light weight and quick opening & closing
- 2.Easy operation,small operation torque
- 3.Easy maintenance
- 4.Replacable seal parts, zero leakage on the two ways.
5. Sealing material resistant to aging and corrosion, with long service life.

Standard:

Design Standard : GB/T2238-1989,API609,JIS B2064
 Face to Face: GB/T9113.1-2000;GB/T9115.1-2000;JB78
 Structure Size Standard:GB/T12221-1989
 Pressure Test Standard:GB/T13927-1992;JB/T9092-1999

Technical Specifications:

Nominal Size	DN (mm)	50 ~ 2000		
Nominal Pressure	PN (MPa)	0.6	1	1.6



Test Pressure	Body	0.9	1.5	2.4
	Seal	0.66	1.1	1.76
	Air	0.6	0.6	0.6
Medium	Air, Water, sewage, Stem, Gas, Oil..etc			
Parts Name	Material			
Body	Cast Iron, Nodular Iron, Cast Steel, Stainless Steel, Bronze			
Disc	Nodular Iron with Galv, Cast Steel, Stainless Steel, Bronze			
Seal Ring	Rubber, PTFE			
Stem	2Cr13、 Stainless Steel			
Packing	O Ring, Flexible Graphite			

Seal Material:

Seal Material	CR	NBR	EPDM	PTFE	SI	VITON	NR	PA
Max Temperature	82°C	93°C	150°C	232°C	250°C	204°C	85°C	93°C
Min Temperature	-40°C	-40°C	-40°C	-268°C	-70°C	-23°C	-20°C	-73°C
Suitable Service Temperature	0~+80 °C	-20~+82 °C	-40~+125 °C	-30~+150 °C	-70~+150 °C	-23~+150 °C	-20~+85 °C	-30~+93 °C

If you need the size, pls feel free to contact us.