


BUTTERFLY VALVE

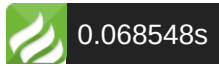
Wafer Centric Butterfly Valve with Worm Gear

- ISO9001 Supplier
- Class Certificate
- Export Supply

The Worm Gear Wafer Butterfly Valve is composed of the body, disc, seat, stem and worm gear, used in many industries such as water, steel food, medicine, chemical, oil, power, textile, paper..etc to adjust the flow rate ...

	<p>Key Highlights</p> <table border="1" style="width: 100%; border-collapse: collapse;"> <tr> <td style="background-color: #1a3d4d; color: white; padding: 5px;">Category</td> <td style="padding: 5px;">Butterfly Valve</td> </tr> <tr> <td style="background-color: #1a3d4d; color: white; padding: 5px;">Standard</td> <td style="padding: 5px;">JIS</td> </tr> <tr> <td style="background-color: #1a3d4d; color: white; padding: 5px;">Material</td> <td style="padding: 5px;">Cast Iron, Nodular Iron, Cast Steel, Stainless Steel</td> </tr> <tr> <td style="background-color: #1a3d4d; color: white; padding: 5px;">Weight / Size</td> <td style="padding: 5px;">GB/T9113.1-2000;GB/T9115.1-2000;JB78 Structure Size Standard:GB/T12221-1...</td> </tr> <tr> <td style="background-color: #1a3d4d; color: white; padding: 5px;">Certificate</td> <td style="padding: 5px;">Mill Certificate</td> </tr> </table> <p style="font-size: small; padding: 5px;">We can supply according to your requirement, drawings, class certificate needs, and delivery schedule.</p>	Category	Butterfly Valve	Standard	JIS	Material	Cast Iron, Nodular Iron, Cast Steel, Stainless Steel	Weight / Size	GB/T9113.1-2000;GB/T9115.1-2000;JB78 Structure Size Standard:GB/T12221-1...	Certificate	Mill Certificate
Category	Butterfly Valve										
Standard	JIS										
Material	Cast Iron, Nodular Iron, Cast Steel, Stainless Steel										
Weight / Size	GB/T9113.1-2000;GB/T9115.1-2000;JB78 Structure Size Standard:GB/T12221-1...										
Certificate	Mill Certificate										

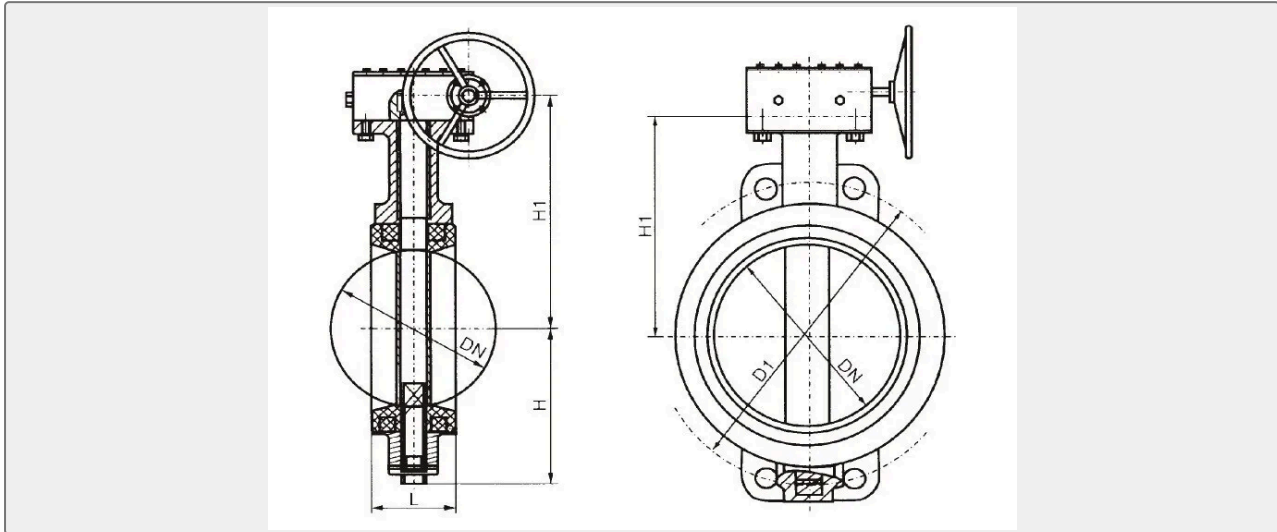
Technical Specifications			
Category	Butterfly Valve	Model / SKU	Wafer-Centric-Butterfly-Valve-with-Worm-Gear
Standard	JIS	Material	Cast Iron, Nodular Iron, Cast Steel, Stainless Steel
Weight / Size	GB/T9113.1-2000;GB/T9115.1-2000;JB78 Structure Size Standard:GB/T12221-1989 Pressure Test Standard:GB/T13927-1992;JB/T9092-1999 Technical Specification:	Certificate	Mill Certificate
Warranty	12 Months unless specified otherwise	Origin	China



CONTENTS

- China Wafer Centric Butterfly Valve with Worm Gear:
- Technical Specification:
- Seal Material:
- Standard:
- Main Parts & Material:

China Wafer Centric Butterfly Valve with Worm Gear:



The Worm Gear Wafer Butterfly Valve is composed of the body, disc, seat, stem and worm gear, used in many industries such as water, steel food, medicine, chemical, oil, power, textile, paper..etc to adjust the flow rate or intercept the medium in the as or water supply, drainage pipe line.

Standard:

Design Standard : GB/T2238-1989,API609,JIS B2064
 Face to Face: GB/T9113.1-2000;GB/T9115.1-2000;JB78
 Structure Size Standard:GB/T12221-1989
 Pressure Test Standard:GB/T13927-1992;JB/T9092-1999

Technical Specification:

Nominal Size DN (mm)	50 ~ 2000		
Nominal Pressure PN (MPa)	0.6	1	1.6
Seal Test(MPa)	0.66	1.1	1.76
Strength Test (MPa)	0.9	1.5	2.4
Applicable Medium	Water, Air, Gas, Oil, Sea Water, Acid and weak corrosive fluid		

Main Parts & Material:

Parts Name	Material
Body	Cast Iron, Nodular Iron, Cast Steel,Stainless Steel
Disc	Nodular Iron with Galv, Cast Steel,Stainless Steel, Bronze
Stem	2Cr13、 Stainless Steel



Seal Ring	NBR, PTFE, CR, EPDM,VITON...
Packing	O Ring, Flexible Graphite

Seal Material:

Seal Material	CR	NBR	EPDM	PTFE	SI	VITON	NR	PA
Max Temperature	82°C	93°C	150°C	232°C	250°C	204°C	85°C	93°C
Min Temperature	-40°C	-40°C	-40°C	-268°C	-70°C	-23°C	-20°C	-73°C
Suitable Service Temperature	0~+80 °C	-20~+82 °C	-40~+125 °C	-30~+150 °C	-70~+150 °C	-23~+150 °C	-20~+85 °C	-30~+93 °C

If you need the size, pls feel free to contact us.