


BREATHER VALVE

Weatherproof Breather Valve

Weatherproof Breather Valve used for safety equipment of crude oil, gasoline, kerosene, light diesel oil, aromatic hydrocarbons and other fixed roof tank,protected from damage when the overpressure or vacuum. The va...

- ISO9001 Supplier
- Class Certificate
- Export Supply

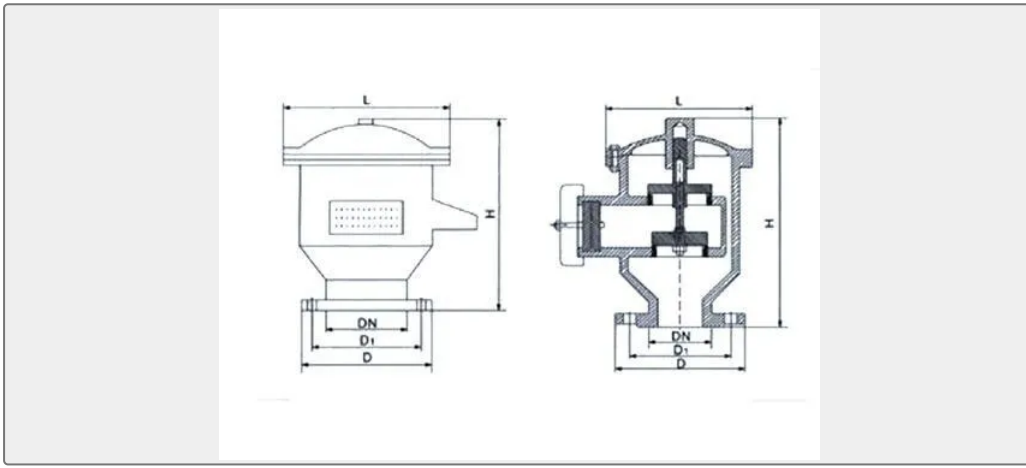
| | | | | | | | | | | | |
|---|--|-------------------------|----------------|-----------------|----|-----------------|-------------------------|----------------------|--|--------------------|--|
|  | <h3>Key Highlights</h3> | | | | | | | | | | |
| | <table border="1"> <tr> <td>Category</td> <td>Breather Valve</td> </tr> <tr> <td>Standard</td> <td>EN</td> </tr> <tr> <td>Material</td> <td>304,316, Aluminum Alloy</td> </tr> <tr> <td>Weight / Size</td> <td>Main Specification DN Weight kg/pc Installation Size (mm) D1 D1 L H n×Φ D...</td> </tr> <tr> <td>Certificate</td> <td>ABS, LR, BV, DNVGL, NK, KR, IRS, RMRS, CCS</td> </tr> </table> | Category | Breather Valve | Standard | EN | Material | 304,316, Aluminum Alloy | Weight / Size | Main Specification DN Weight kg/pc Installation Size (mm) D1 D1 L H n×Φ D... | Certificate | ABS, LR, BV, DNVGL, NK, KR, IRS, RMRS, CCS |
| | Category | Breather Valve | | | | | | | | | |
| | Standard | EN | | | | | | | | | |
| | Material | 304,316, Aluminum Alloy | | | | | | | | | |
| Weight / Size | Main Specification DN Weight kg/pc Installation Size (mm) D1 D1 L H n×Φ D... | | | | | | | | | | |
| Certificate | ABS, LR, BV, DNVGL, NK, KR, IRS, RMRS, CCS | | | | | | | | | | |
| <p>We can supply according to your requirement, drawings, class certificate needs, and delivery schedule.</p> | | | | | | | | | | | |

Technical Specifications

| | | | |
|----------------------|--|--------------------|--|
| Category | Breather Valve | Model / SKU | Weatherproof-Breather-Valve |
| Standard | EN | Material | 304,316, Aluminum Alloy |
| Weight / Size | Main Specification DN Weight kg/pc Installation Size (mm) D1 D1 L H n×Φ DN50 6.5 Φ110 Φ140 160 255 4×14 DN80 9.8 Φ150 Φ185 213 260 4×18 DN100 12 Φ170 Φ205 265 290 4×18 DN150 21 Φ225 Φ260 305 330 8×18 DN200 31 Φ280 Φ315 355 350 8×18 DN250 35 Φ335 Φ370 420 400 12×18 | Certificate | ABS, LR, BV, DNVGL, NK, KR, IRS, RMRS, CCS |
| Warranty | 12 Months unless specified otherwise | Origin | China |

| | |
|-----------------|--|
| CONTENTS | <ul style="list-style-type: none"> ■ China Weatherproof Breather Valve: ■ Main Specification |
|-----------------|--|

China Weatherproof Breather Valve:



Weatherproof Breather Valve used for safety equipment of crude oil, gasoline, kerosene, light diesel oil, aromatic hydrocarbons and other fixed roof tank, protected from damage when the overpressure or vacuum. The valve is equipped with a flame arrester.

Main Specification

| DN | Weight kg/pc | Installation Size (mm) | | | | |
|-------|-----------------|--------------------------|------|-----|-----|-------|
| | | D1 | D1 | L | H | n×Φ |
| DN50 | 6.5 | Φ110 | Φ140 | 160 | 255 | 4×14 |
| DN80 | 9.8 | Φ150 | Φ185 | 213 | 260 | 4×18 |
| DN100 | 12 | Φ170 | Φ205 | 265 | 290 | 4×18 |
| DN150 | 21 | Φ225 | Φ260 | 305 | 330 | 8×18 |
| DN200 | 31 | Φ280 | Φ315 | 355 | 350 | 8×18 |
| DN250 | 35 | Φ335 | Φ370 | 420 | 400 | 12×18 |