

Jinbo Marine

Marine & Offshore Equipment Datasheet

PRODUCT DATASHEET

CONES AND GUIDE FITTINGS

Weldable Cones

1.All items are approved by major classification societies 2.customized design is available.

Material: forged steel. Finish: paint Weight:1kg M.B.L shear:420KN M.B.L

compression:2000KN ...

ISO9001 Supplier

Class Certificate

Export Supply



Key Highlights

Category	Cones And Guide Fittings
Standard	ISO
Material	forged steel
Weight / Size	paint Weight:1kg M.B.L shear:420KN M.B.L compression:2000KN Certificatio...
Certificate	GL certificate
We can supply according to your requirement, drawings, class certificate needs, and delivery schedule.	

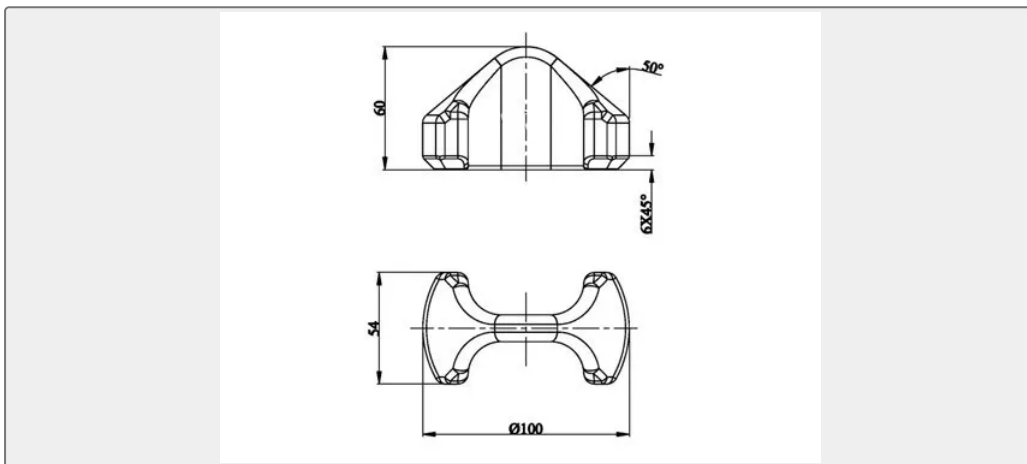
Technical Specifications

Category	Cones And Guide Fittings	Model / SKU	Weldable-Cones
Standard	ISO	Material	forged steel
Weight / Size	paint Weight:1kg M.B.L shear:420KN M.B.L compression:2000KN Certification:	Surface	Finish:
Certificate	GL certificate	Warranty	12 Months unless specified otherwise
Origin	China		



0.035064s

China Weldable Cones:



- 1.All items are approved by major classification societies
- 2.customized design is available.

Material: forged steel.

Finish: paint

Weight:1kg

M.B.L shear:420KN

M.B.L compression:2000KN

Certification: All items are approved by major classification societies

Remarks: customized design is available

Our scope of supply(cotainer fastners) covers the follows:

D-ring, Lashing plate, Raised ISO foundations, Dovetail foundations, Flush sockets, Sliding foundations, Guide cone, Guide block, Turnbuckles, Lashing rods, Extension rods, Manual twistlocks, Semi-automatic twistlocks, Midlocks, Sliding twistlocks, Bridge fittings, Single stackers, Double stackers, Hanging stackers, ETC.