

Jinbo Marine

Marine & Offshore Equipment Datasheet

PRODUCT DATASHEET

CHAIN STOPPER

Wire Rope Pelican Hook

Wire Rope Pelican Hook for wire size 1/2" to 2 1/8" Table of sizes and dimensions(in inches)

Wire Size A B C ...

ISO9001 Supplier

Class Certificate

Export Supply



Key Highlights

Category	Chain Stopper
Standard	EN
Weight / Size	Wire Rope Pelican Hook for wire size 1/2" to 2 1/8" Table of sizes and d...
Certificate	ABS, LR, BV, DNVGL, NK, KR, IRS, RMRS, CCS

We can supply according to your requirement, drawings, class certificate needs, and delivery schedule.

Technical Specifications			
Category	Chain Stopper	Model / SKU	Wire-Rope-Pelican-Hook
Standard	EN	Weight / Size	Wire Rope Pelican Hook for wire size 1/2" to 2 1/8" Table of sizes and dimensions(in inches) Wire Size A B C D E F G H J WLL(lbs) 1/2 5 4 1/2 1 7/16 1/4 1 1/2 2 3/4 11/16 4000 5/8 6 1/4 5 5/8 1 1/4 1/2 3/4 17/8 2 1/2 15/16 7/8 9500 3/4 7 1/2 6 3/4 1 1/2 5/8 7/16 2 1/4 3 1 1/8 1 11600 7/8 8 3/4 7 7/8 1 3/4 11/16 1/2 2 11/16 3 1/2 1 1/4 1 1/8 17000 1 10 9 2 13/16 9/16 3 1/16 4 1 15/32 1 5/16 19000 1 1/8- 1 1/4 11 1/4 10 2 1/4 15/16 11/16 3 1/2 4 1/2 1 11/16 1 1/2 25000 1 3/8 13 3/4 12 1/4 2 3/4 1 1/8 13/16 4 7/16 5 1/2 2 1/16 1 7/8 32000 1 5/8 16 1/4 14 5/8 3 1/4 1 3/8 15/16 5 1/2 6 1/2 2 7/16 2 1/8 39600 1 7/8 18 3/4 16 3/4 3 3/4 1 9/16 1 1/16 6 3/16 7 1/2 2 13/16 2 1/2 48000 2 1/8 21 1/4 19 4 1/4 1 15/16 1 5/16 6 11/16 8 1/2 3 3/16 2 3/4 70000
Certificate	ABS, LR, BV, DNVGL, NK, KR, IRS, RMRS, CCS	Warranty	12 Months unless specified otherwise
Origin	China		

Wire Rope Pelican Hook for wire size 1/2" to 2 1/8"

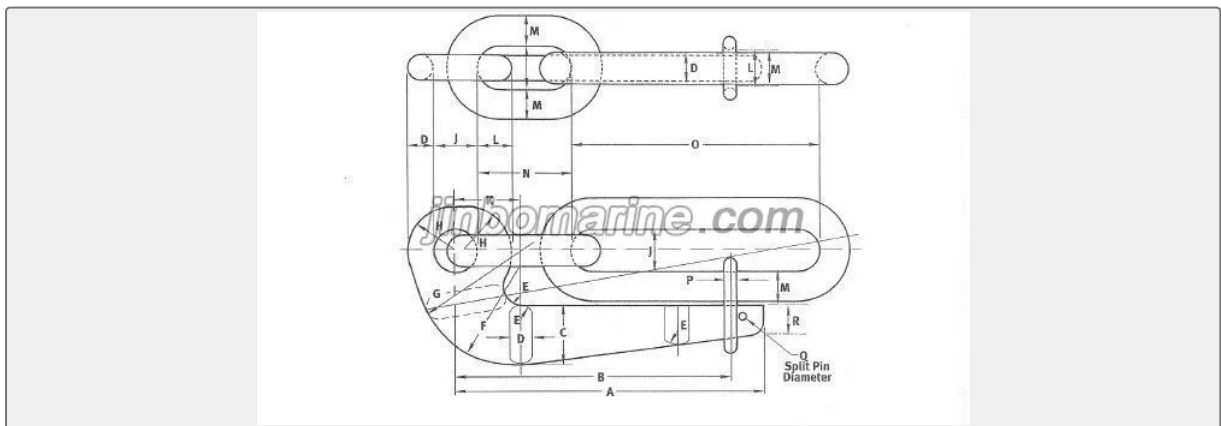


Table of sizes and dimensions(in inches)

Wire Size	A	B	C	D	E	F	G	H	J	WLL(lbs)
1/2	5	4 1/2	1	7/16	1/4	1	1 1/2	2 3/4		4000
5/8	6 1/4	5 5/8	1 1/4	15/16	7/8	9500				
3/4	7 1/2	6 3/4	1 1/2	5/8	7/16	2 1/4				
3	1 1/8	1	11600	7/8	8 3/4	7 7/8	1			
3/4	11/16	1/2	2	11/16	3 1/2	1 1/4	1			
1/8	17000	1	10	9	2	13/16	9/16	3		
1/16	4	1	15/32	1	5/16	19000	1	1/8-		
1 1/4	11	1/4	10	2 1/4	15/16	11/16	3			
1/2	4 1/2	1	11/16	1 1/2	25000	1 3/8				
13 3/4	12 1/4	2 3/4	1 1/8	13/16	4					
7/16	5 1/2	2 1/16	1 7/8	32000	1					
5/8	16 1/4	14 5/8	3 1/4	1 3/8	15/16					
5 1/2	6 1/2	2 7/16	2 1/8	39600	1					
7/8	18 3/4	16 3/4	3 3/4	1 9/16	1					
1/16	6 3/16	7 1/2	2	13/16	2 1/2					
48000	2 1/8	21 1/4	19 4 1/4	1						
15/16	1 5/16	6 11/16	8 1/2	3 3/16	2 3/4	70000				

1/2	5	4 1/2	1	7/16	1/4	1 1/2	2	3/4	11/16	4000
5/8	6 1/4	5 5/8	1 1/4	1/2	3/4	17/8	2 1/2	15/16	7/8	9500
3/4	7 1/2	6 3/4	1 1/2	5/8	7/16	2 1/4	3	1 1/8	1	11600
7/8	8 3/4	7 7/8	1 3/4	11/16	1/2	2 11/16	3 1/2	1 1/4	1 1/8	17000
1	10	9	2	13/16	9/16	3 1/16	4	1 15/32	1 5/16	19000
1 1/8- 1 1/4	11 1/4	10	2 1/4	15/16	11/16	3 1/2	4 1/2	1 11/16	1 1/2	25000
1 3/8	13 3/4	12 1/4	2 3/4	1 1/8	13/16	4 7/16	5 1/2	2 1/16	1 7/8	32000
1 5/8	16 1/4	14 5/8	3 1/4	1 3/8	15/16	5 1/2	6 1/2	2 7/16	2 1/8	39600
1 7/8	18 3/4	16 3/4	3 3/4	1 9/16	1 1/16	6 3/16	7 1/2	2 13/16	2 1/2	48000
2 1/8	21 1/4	19	4 1/4	1 15/16	1 5/16	6 11/16	8 1/2	3 3/16	2 3/4	70000