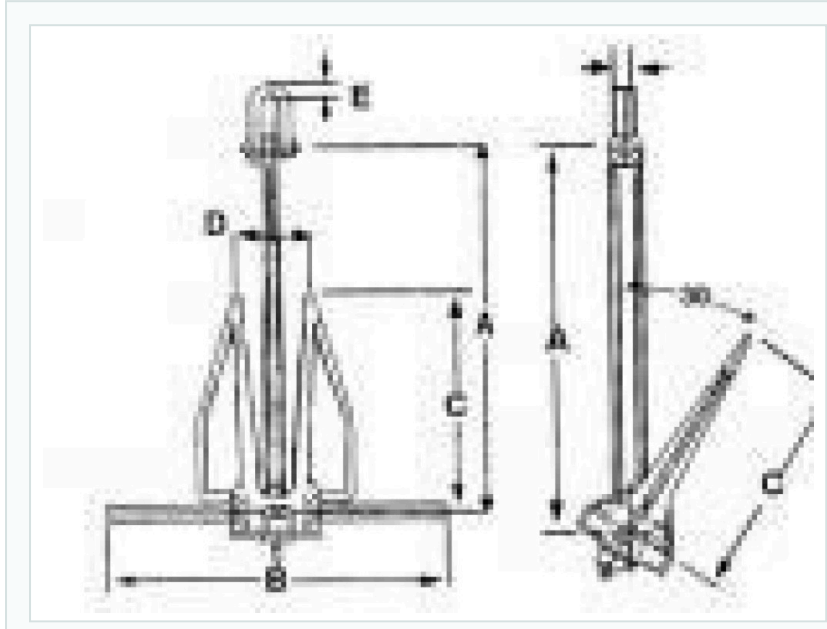


HIGH HOLDING POWER ANCHOR

Workboat Anchor

Workboat Anchor Specification: Weight: 100kgs to 35000kgs Superior High Holding Anchor
Proof Load: 2608 pound to 289500 pounds For the specific dimensions, please contact us.

- ISO9001 Supplier
- Class Certificate
- Export Supply



Key Highlights

Category	High Holding Power Anchor
Standard	DIN
Material	Casting Steel
Weight / Size	100kgs to 35000kgs
Certificate	ABS, LR, BV, DNVGL, NK, KR, IRS, RMRS, CCS

We can supply according to your requirement, drawings, class certificate needs, and delivery schedule.

Technical Specifications

Category	High Holding Power Anchor	Model / SKU	Workboat-Anchor
Standard	DIN	Material	Casting Steel
Weight / Size	100kgs to 35000kgs	Certificate	ABS, LR, BV, DNVGL, NK, KR, IRS, RMRS, CCS
Warranty	12 Months unless specified otherwise	Origin	China

Specification:

Weight: 100kgs to 35000kgs
 Superior High Holding Anchor
 Proof Load: 2608 pound to 289500 pounds
 For the specific dimensions, please contact us.

