

**HFM FIRE DOOR CONTROL SYSTEM**

# XZ-8-108(LX918) Travel Switch

XZ-8-108(LX918) Travel Switch 1)Chapter 2 of Part 4 of the "Steel Ship Classification Rules" of the China Classification Society; 2)IMO Resolution A.1021(26) Code on Alerts and Indicators, 2009. ...

ISO9001 Supplier

Class Certificate

Export Supply



### Key Highlights

<b>Category</b>	HFM Fire Door Control System
<b>Material</b>	XZ-8-108(LX918) Travel Switch 1)Chapter 2 of Part 4 of the "Steel Ship C...
<b>Certificate</b>	ABS, LR, BV, DNVGL, NK, KR, IRS, RMRS, CCS

We can supply according to your requirement, drawings, class certificate needs, and delivery schedule.

### Technical Specifications

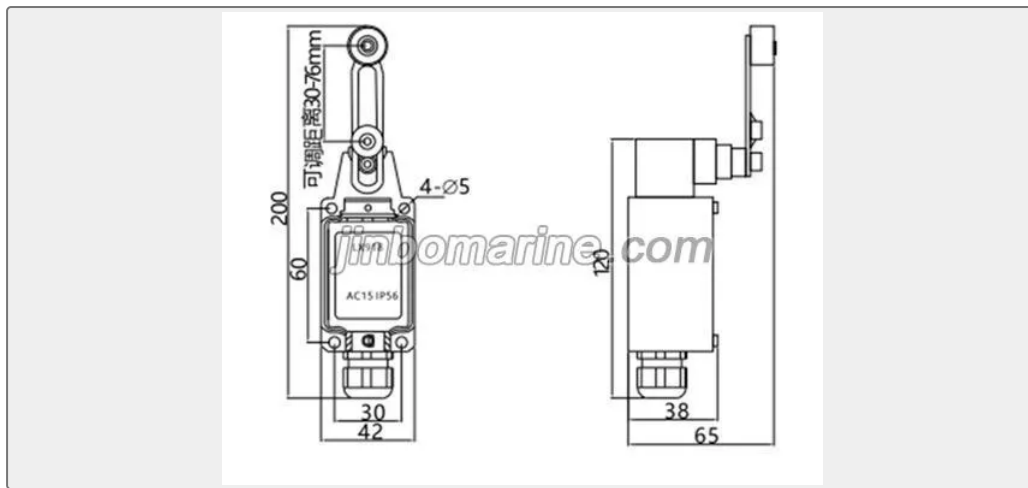
<b>Category</b>	HFM Fire Door Control System	<b>Model / SKU</b>	XZ-8-108-LX918-Travel-Switch
<b>Material</b>	XZ-8-108(LX918) Travel Switch 1)Chapter 2 of Part 4 of the "Steel Ship Classification Rules" of the China Classification Society;	<b>Certificate</b>	ABS, LR, BV, DNVGL, NK, KR, IRS, RMRS, CCS
<b>Warranty</b>	12 Months unless specified otherwise	<b>Origin</b>	China

### China XZ-8-108(LX918) Travel Switch:

XZ-8-108(LX918) Travel Switch

- 1)Chapter 2 of Part 4 of the "Steel Ship Classification Rules" of the China Classification Society;
- 2)IMO Resolution A.1021(26) Code on Alerts and Indicators, 2009.





Colour: Blue

Shell material: Aluminum

Cable gland: M20x1.5

IP rating: IP56