

Jinbo Marine

Marine & Offshore Equipment Datasheet

PRODUCT DATASHEET

HSM WATERITIGHT DOOR INDICATION SYSTEM

XZ-8-108(LX918) Watertight Limited Switch

ISO9001 Supplier

Class Certificate

Export Supply

XZ-8-108(LX918) Watertight Limited Switch 1)Chapter 2 of Part 4 of the "Steel Ship Classification Rules" of the China Classification Society; 2)IMO Resolution A.1021(26) Code on Alerts and Indicators, 2009. ...



Key Highlights

Category	HSM Watertight Door Indication System
Material	XZ-8-108(LX918) Watertight Limited Switch 1)Chapter 2 of Part 4 of the "...
Certificate	ABS, LR, BV, DNVGL, NK, KR, IRS, RMRS, CCS

We can supply according to your requirement, drawings, class certificate needs, and delivery schedule.

Technical Specifications

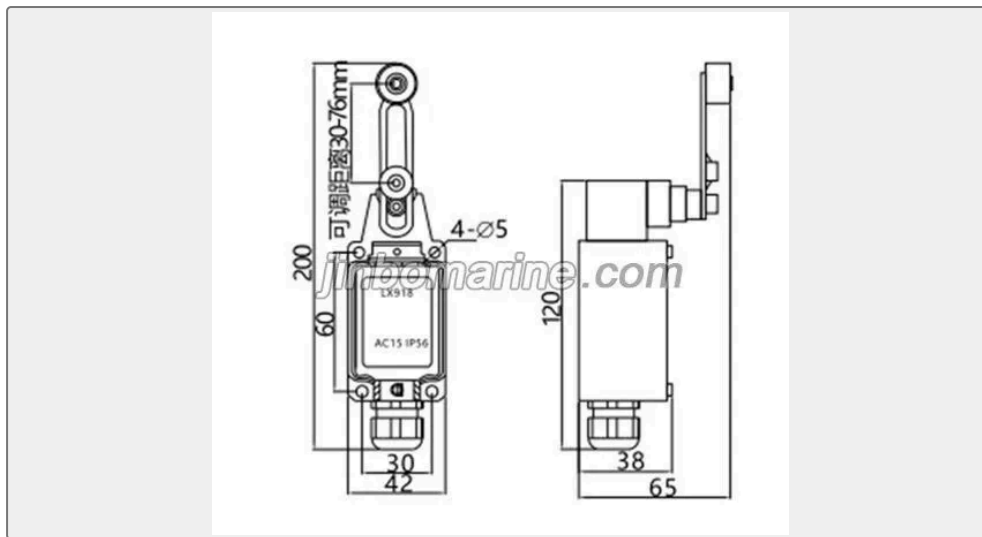
Category	HSM Watertight Door Indication System	Model / SKU	XZ-8-108-LX918-Watertight-Limited-Switch
Material	XZ-8-108(LX918) Watertight Limited Switch 1)Chapter 2 of Part 4 of the "Steel Ship Classification Rules" of the China Classification Society;	Certificate	ABS, LR, BV, DNVGL, NK, KR, IRS, RMRS, CCS
Warranty	12 Months unless specified otherwise	Origin	China

China XZ-8-108(LX918) Watertight Limited Switch:

XZ-8-108(LX918) Watertight Limited Switch

- 1)Chapter 2 of Part 4 of the "Steel Ship Classification Rules" of the China Classification Society;
- 2)IMO Resolution A.1021(26) Code on Alerts and Indicators, 2009.





Shell material: Aluminum

Cable gland: PG13.5

IP rating: IP44/IP56/IP68