

Jinbo Marine

Marine & Offshore Equipment Datasheet

PRODUCT DATASHEET

FILTER

XZL150 Model Inspiration Strainer Filter

ISO9001 Supplier

Class Certificate

Export Supply

XZL150 Model Inspiration Strainer Filter This strainer is applicable for oil pipelines of diesel generator and other equipment for filtering lubricant, fuel oil and heavy oil, operation pressure of which is recomme...

Key Highlights

| | |
|----------------------|---|
| Category | Filter |
| Standard | EN |
| Weight / Size | XZL150 Model Inspiration Strainer Filter Drawing XZL150 Model Inspiratio... |
| Certificate | ABS, LR, BV, DNVGL, NK, KR, IRS, RMRS, CCS |

We can supply according to your requirement, drawings, class certificate needs, and delivery schedule.

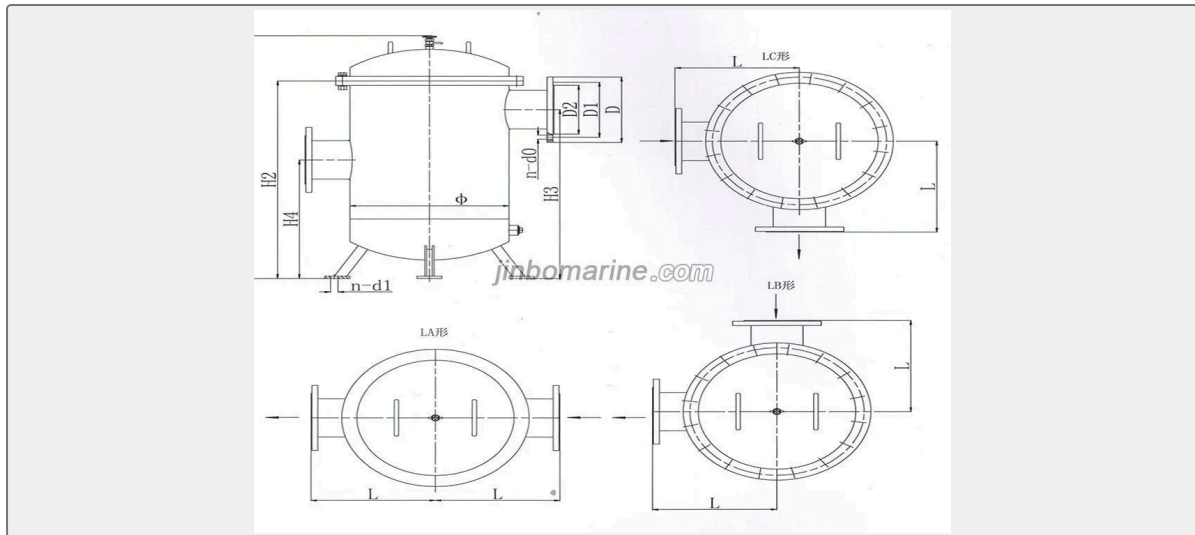
| Technical Specifications | | | |
|--------------------------|--|---------------|--|
| Category | Filter | Model / SKU | XZL150-Model-Inspiration-Strainer-Filter |
| Standard | EN | Weight / Size | XZL150 Model Inspiration Strainer Filter Drawing XZL150 Model Inspiration Strainer Filter Technical Parameters DN Structure size Flange Anchor L H1 H2 H3 H4 Φ D D1 D2 n n n-d1 100 240 630 465 375 289 312 220 180 158 8 8 3- Φ 22 125 250 680 515 422 339 250 210 184 8 22 150 340 810 642 527 357 412 285 240 212 200 340 915 740 595 375 340 295 268 250 400 1005 820 635 365 512 395 350 320 300 400 1145 965 750 430 445 400 375 16 22 350 448 1255 1045 810 440 612 505 460 430 400 448 1420 1220 950 530 565 515 482 |
| Certificate | ABS, LR, BV, DNVGL, NK, KR, IRS, RMRS, CCS | Warranty | 12 Months unless specified otherwise |
| Origin | China | | |

| | | |
|-----------------|---|--|
| CONTENTS | <ul style="list-style-type: none"> ■ XZL150 Model Inspiration Strainer Filter ■ XZL150 Model Inspiration Strainer Filter Technical Parameters | <ul style="list-style-type: none"> ■ XZL150 Model Inspiration Strainer Filter Drawing |
|-----------------|---|--|

XZL150 Model Inspiration Strainer Filter

This strainer is applicable for oil pipelines of diesel generator and other equipment for filtering lubricant, fuel oil and heavy oil, operation pressure of which is recommended not to exceed 0.8Mpa, working temperature I $t \leq 85^{\circ}\text{C}$ II $t \leq 135^{\circ}\text{C}$ $\leq 200^{\circ}\text{C}$, with range of filtering precision available for option between 20-200 mesh/inch. It's designed with top inlet and bottom outlet, all filtered substances are intercepted inside the mesh cage, which is easy to clear and clean. Magnet maybe equipped for adsorption of ferromagnet upon request.

XZL150 Model Inspiration Strainer Filter Drawing



XZL150 Model Inspiration Strainer Filter Technical Parameters

| DN | Structure size | | | | | | Flange | | | | | Anchor |
|-----|----------------|------|------|-----|-----|-----|--------|-----|-----|----|----|--------|
| | L | H1 | H2 | H3 | H4 | Φ | D | D1 | D2 | n | n | |
| 100 | 240 | 630 | 465 | 375 | 289 | 312 | 220 | 180 | 158 | 8 | 8 | 3-Φ22 |
| 125 | 250 | 680 | 515 | 422 | 339 | | 250 | 210 | 184 | 8 | 22 | |
| 150 | 340 | 810 | 642 | 527 | 357 | 412 | 285 | 240 | 212 | | | |
| 200 | 340 | 915 | 740 | 595 | 375 | | 340 | 295 | 268 | | | |
| 250 | 400 | 1005 | 820 | 635 | 365 | 512 | 395 | 350 | 320 | | | |
| 300 | 400 | 1145 | 965 | 750 | 430 | | 445 | 400 | 375 | 16 | 22 | |
| 350 | 448 | 1255 | 1045 | 810 | 440 | 612 | 505 | 460 | 430 | | | |
| 400 | 448 | 1420 | 1220 | 950 | 530 | | 565 | 515 | 482 | | | |