

Jinbo Marine

Marine & Offshore Equipment Datasheet

PRODUCT DATASHEET

MARINE ELECTRIC MOTOR

YB2—H Totally-Enclosed/Fan-Cooled /Three-Phase Marine Flameproof Motors

Introduction YB2—H Series are totally-enclosed, fan-cooled three-phase marine flameproof motors of the squirrel-cage type. The motors are designed and manufactured according to National Standard IEC60079-0 《Electri...

ISO9001 Supplier

Class Certificate

Export Supply

**Key Highlights**

Category	Marine Electric Motor
Standard	DIN
Weight / Size	IEC60034 Rotating electrical machines IEC60068 Basic environmental testi...
Certificate	CCS/LR/DNV/KR

We can supply according to your requirement, drawings, class certificate needs, and delivery schedule.

Technical Specifications

Category	Marine Electric Motor	Model / SKU	YB2-H-Totally-Enclosed-Fan-Cooled-Three-Phase-Marine-Flameproof-Motors
Standard	DIN	Weight / Size	IEC60034 Rotating electrical machines IEC60068 Basic environmental testing procedures IEC60072 Dimensions and output ratings for rotating electrical machines IEC60092 Electrical installation in ships Type Designation The type designation consists of several letters and digits.
Certificate	CCS/LR/DNV/KR	Warranty	12 Months unless specified otherwise
Origin	China		

CONTENTS

- Introduction
- Type Designation
- Mounting Arrangement
- Mounting Arrangements (IM)
- The motors is also accordance with the following standards and specifications:
- perating Conditions
- Table 1 Frame Size
- Technical Data and Mounting and Overall Dimensions

Introduction

YB2—H Series are totally-enclosed, fan-cooled three-phase marine flameproof motors of the squirrel-cage type. The motors are designed and manufactured according to National Standard IEC60079-0 《Electrical apparatus for explosive gas atmosphere-Part 0 : General requirements 》 and IEC60079-1 《Electrical apparatus for explosive gas atmosphere-Part 1 : Flameproof enclosure"d"》. The protection type of the motor is ExdIIBT4 or ExdIICT4. They have the features of good function, low noise , and convenient protection.

The motors can be used to drive various machines, such as pumps, ventilator, separators and hydraulic machines which placed in areas where flameproof grade is IIA、 IIB and IIC, temperature class T1~T4, easy-ignition and explosive gas ,steam and air mixtures.

The motors is also accordance with the following standards and specifications:

IEC60034 Rotating electrical machines

IEC60068 Basic environmental testing procedures

IEC60072 Dimensions and output ratings for rotating electrical machines

IEC60092 Electrical installation in ships

Type Designation

The type designation consists of several letters and digits.

Operating Conditions

Temperature of Ambient air: -20°C ~+45°C

Altitude : 0m

Relative humidity : ≤ 95%

Dew : exists

Salt mist : exists

Oil mist : exists

Fungus : exists

Shock : exists

Vibration : exists

Inclination and swing : ±22.5°

Rated Voltage : 380V or 440V

Rated Frequency : 50Hz or 60Hz

Connection : 3kW or Less Y、 more than 3kW Δ

Duty Type : Continuous

Insulation : F

Rise of winding(resistance method) 80K,Permissible working temp of bearing(thermometer method) 90°C

Mounting Arrangement

Mounting arrangements available for various frame sizes are shown in table 1.

Frame Size	Mounting Arrangements (IM)
80 ~160	B3, B5, B6, B7, B8, B35, VI, V3, V5, V6, V15, V36
180~225	B3, B5B35, VI
250 ~355	B3, B35, VI

Table 1

Technical Data and Mounting and Overall Dimensions

Mounting and overall dimensions are shown respectively by table 2 ~ 5

Table 2

Type	Output kW	Current A		Type	Output kW	Current A	
		380V 50Hz	440V 60Hz			380V 50Hz	440V 60Hz
YB280M1-2-H	0.75	1.8	1.6	YB2315L2-4-H	200	361.3	318.9
YB280M2-2-H	1.1	2.6	2.2	YB2355M-4-H	250	464	410
YB290S-2-H	1.5	3.5	3.1	YB2355L-4-H	315	582	514.0
YB290L-2-H	2.2	4.9	4.3	YB290S-6-H	0.75	2.2	2.0
YB2100L-2-H	3	6.2	5.4	YB290L-6-H	1.1	3.2	2.9
YB2112M-2-H	4	8.2	7.2	YB2100L-6-H	1.5	4.0	3.5
YB2132S1-2-H	5.5	11	9.6	YB2112M-6-H	2.2	5.8	5.2
YB2132S2-2-H	7.5	14.6	12.9	YB2132S-6-H	3	7.2	6.4

YB2160M12-H	11	21.6	18.7	YB2132M1-6-H	4	9.5	8.2
YB2160M2-2-H	15	28.9	25.1	YB2132M2-6-H	5.5	12.5	10.7
YB2160L-2-H	18.5	35.7	30.3	YB2160M-6-H	7.5	17.1	14.8
YB2180M-2-H	22	42.2	36.9	YB2160L-6-H	11	25.0	21.7
YB2200L1-2-H	30	57.9	50.3	YB2180L-6-H	15	33.0	29.3
YB2200L2-2-H	37	69.4	60.3	YB2200L1-6-H	18.5	37.6	32.7
YB2225M-2-H	45	85.9	76.3	YB2200L2-6-H	22	44.7	38.9
YB2250M-2-H	55	103.2	91.7	YB2225M-6-H	30	61.1	53.1
YB2280S-2-H	75	139.2	120.9	YB2250M-6-H	37	71.0	61.3
YB280M-2-H 90		167.1	143.5	YB2280S-6-H	45	86.4	74.6
YB2315S-2-H	110	203.0	180.2	YB2280M-6-H	55	103.2	89.7
YB2315M-2-H	132	242.3	215.1	YB2315S-6-H	75	141.1	123.9
YB2315L12-H	160	292.1	259.3	YB2315M-6-H	90	168.6	148.1
YB2315L2-2-H	200	365.1	324.1	YB2315L1-6-H	110	205.4	180.4
YB2355M-2-H	250	451	401	YB2315L2-6-H	132	245.7	215.8
YB2355L-2-H	315	566	502	YB2355M1-6-H	160	302.0	265.3
YB280MI-4-H	0.55	1.5	1.4	YB2355M2-6-H	200	377	331
YB280M2-4-H	0.75	2.1	1.8	YB2355L-6-H	250	469	412
YB290S-4-H 1.1		2.7	2.4	YB2132S-8-H	2.2	5.8	5.2
YB290L-4-H 1.5		3.6	3.2	YB2132M-8-H	3	7.6	6.8
YB2100L1-4-H	2.2	5.0	4.5	YB2160MI-8-H	4	10.5	9.1
YB2100L2-4-H	3	6.8	5.9	YB2160M2-8-H	5.5	13.4	11.5
YB2112M-4-H	4	8.9	7.7	YB2160L-8-H	7.5	17.7	15.5
YB2132S-4-H	5.5	11.7	10	YB2180L-8-H	11	25.6	22.2
YB2132M-4-H	7.5	15.4	13.2	YB2200L-8-H	15	33.3	29.2

YB2160M-4-H	11	22.6	19.5	YB2225S-8-H	18.5	40.3	35.6
YB2160L-4-H	15	30.5	26.3	YB2225M-8-H	22	47.4	41.7
YB2180M-4-H	18.5	35.9	30.8	YB2250M-8-H	30	64.7	57.1
YB2180L-4-H	22	42.2	36.9	YB2280S-8-H	37	79.8	68.9
YB2200L-4-H	30	57.3	49.8	YB2280M-8-H	45	94.8	80.8
YB2225S-4-H	37	70.2	60.3	YB2315S-8-H	55	113.5	98.59
YB2225M-4-H	45	84.0	73.4	YB2315M-8-H	75	152.1	132.0
YB2250M-4-H	55	103.8	88.7	YB2315L1-8-H	90	179.3	155.6
YB2280S-4-H	75	139.2	120	YB2315L2-8-H	110	218.4	189.6
YB2280S-4-H	90	164.3	141.9	YB2355M1-8-H	132	265	230
YB2315S-4-H	110	200.8	177.3	YB2355M2-8-H	160	320	278
YB2315M-4-H	132	239.7	211.6	YB2355L-8-H	200	399	347
YB2315L1-4-H	160	289.0	255.1				

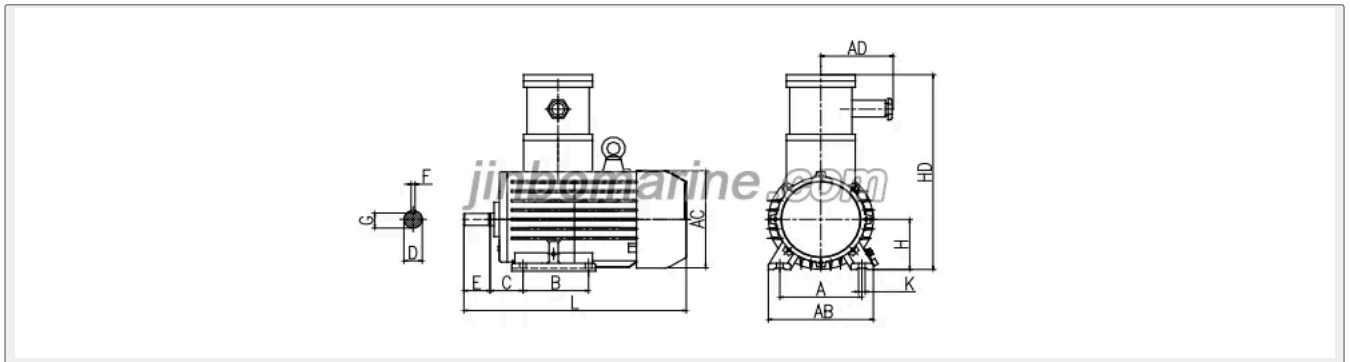


Table 3

Frame Size	Pole	A	AB	AC	AD	B	C	H	HD	L	K	Bearings	
												Driving end	Non-Driving
80M	2、4、6	125	165	175	160	100	50	80	340	360		6204-2RS	6204-2RS
90S	2、4、6	140	180	180	160	100	56	90	350	390	10	6205-2RS	6205-2RS
90L	2、4、6	160	205	205	160	125	63	100	400	470		6206-2RS	6206-2RS
100L	2、4、6	190	245	230	160	140	70	112	420	470	12	6306-2RS	6306-2RS
112M	2、4、6	216	280	280	200	140	89	132	450	590	12	6308-2RS	6308-2RS
132S	2、4、6、8	254	330	325	220	178	108	160	560	680	15	6309-2RS	6309-2RS
132M	2、4、6、8	279	355	360	220	210	121	180	580	830	15	6311-2RS	6311-2RS
160M	2、4、6、8					254				720			
160L	2、4、6、8					241				830			
180M	2、4、6、8					279				830			
180L	2、4、6、8												



200L	2、 4、 6、 8	318	395	420	250	305	133	200	650	850		6312-2RS	6312-2RS
225S	2			450		286							
	4、 6、 8	356	435		250		149	225	690	970	19	6313-2RS	6313-2RS
225M	2			450		311							
	4、 6、 8												
250M	2	406	495	500	300	349	168	250	800	1100		6314	6314
	4、 6、 8												
280S	2					368				1140	24	6314	6314
	4、 6、 8	457	550	565	300		190	280	860			6317	6317
280M	2					419				1190		6314	6314
	4、 6、 8											6317	6317
315S	2					406				1255		6317	6317
	4、 6、 8											6319	6319
315M	2	508	640	645	300	457	216	315	1050	1315		6317	6317
	4、 6、 8											6319	6319
315L	2					508				1460	28	6317	6317
	4、 6、 8											6319	6319
355M	2					560				1580		6319	6319
	4、 6、 8	610	740	750	350		254	355	1150			6322	6322
355L	2					630				1620		6319	6319
	4、 6、 8											6322	6322

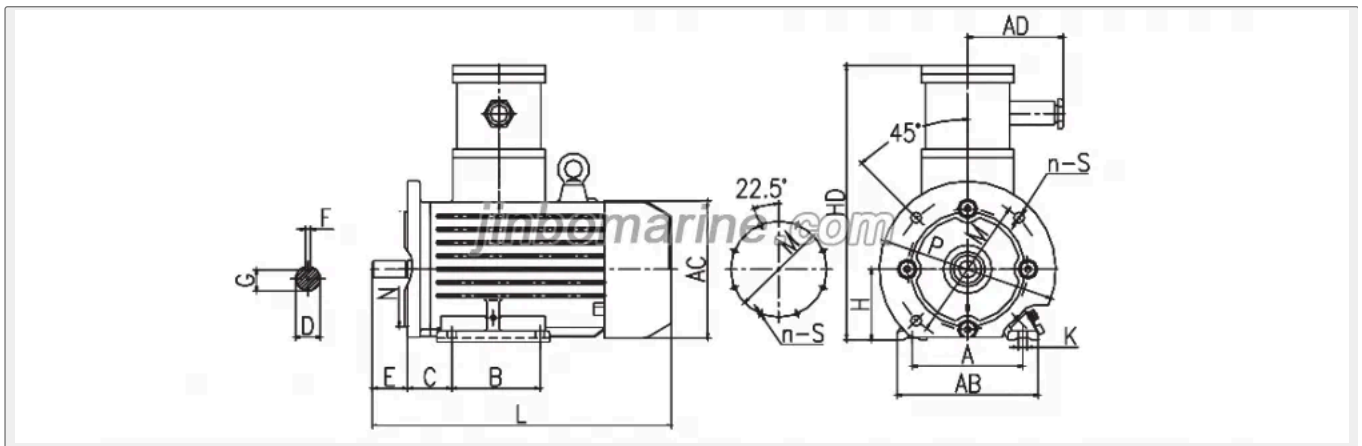


Table 4

Frame Size	Pole	A	AB	AC	AD	B	C	H	HD	L	K	M	N	P	S	T	n	bearings	
																		Driving end	Non-Driving end
80M	2、 4、 6	125	165	175	160	100	50	80	340	360		165	130	200	12	3.5		6204-2RS	6204-2RS
90S	2、 4、 6	140	180	180	160	100	56	90	350	390	10	165	130	200	12	3.5		6205-2RS	6205-2RS
90L	2、 4、 6	160	205	205	160	140	63	100	400	470	12	215	180	250	15	4		6206-2RS	6206-2RS
100L	2、 4、 6	190	245	230	160	140	70	112	420	470	12	215	180	250	15	4		6306-2RS	6306-2RS
112M	2、 4、 6	216	280	280	200	140	89	132	450	590	12	265	230	300	15	4	4	6308-2RS	6308-2RS
132S	2、 4、 6、 8	254	330	325	220	178	108	160	560	590	15	300	250	350	19	5		6309-2RS	6309-2RS
132M	2、 4、 6、 8	279	355	360	220	210	121	180	580	680	15	300	250	350	19	5		6311-2RS	6311-2RS
160M	2、 4、 6、 8	318	395	420	250	254	133	200	650	720	19	350	300	400	19	5		6312-2RS	6312-2RS
160L	2、 4、 6、 8	356	435	450	250	286	149	225	690	830	400	350	450	19	5	8		6313-2RS	6313-2RS
180M	2、 4、 6、 8									830								6311-2RS	6311-2RS
180L	2、 4、 6、 8									830								6311-2RS	6311-2RS
200L	2、 4、 6、 8									850								6312-2RS	6312-2RS
225S	2									970								6313-2RS	6313-2RS
	4、 6、 8																	6313-2RS	6313-2RS



