

Jinbo Marine

Marine & Offshore Equipment Datasheet

PRODUCT DATASHEET

GEAR PUMP

YCB-G Heat Insulating Gear Pump

Description: This series of heat insulating gear pump is used to transfer different medium, such as heavy oil, asphalt, resin, detergent and glue, which not includes solid particles and the temperature not higher than 300C.

ISO9001 Supplier

Class Certificate

Export Supply



Key Highlights

Category	Gear Pump
Standard	CB
Certificate	ABS, LR, BV, DNVGL, NK, KR, IRS, RMRS, CCS

We can supply according to your requirement, drawings, class certificate needs, and delivery schedule.

Technical Specifications

Category	Gear Pump	Model / SKU	YCB-G-Heat-Insulating-Gear-Pump
Standard	CB	Certificate	ABS, LR, BV, DNVGL, NK, KR, IRS, RMRS, CCS
Warranty	12 Months unless specified otherwise	Origin	China

CONTENTS

 Description:

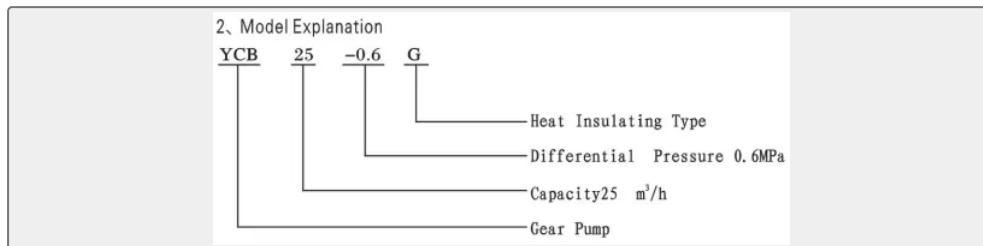
 Technica data:

Description:

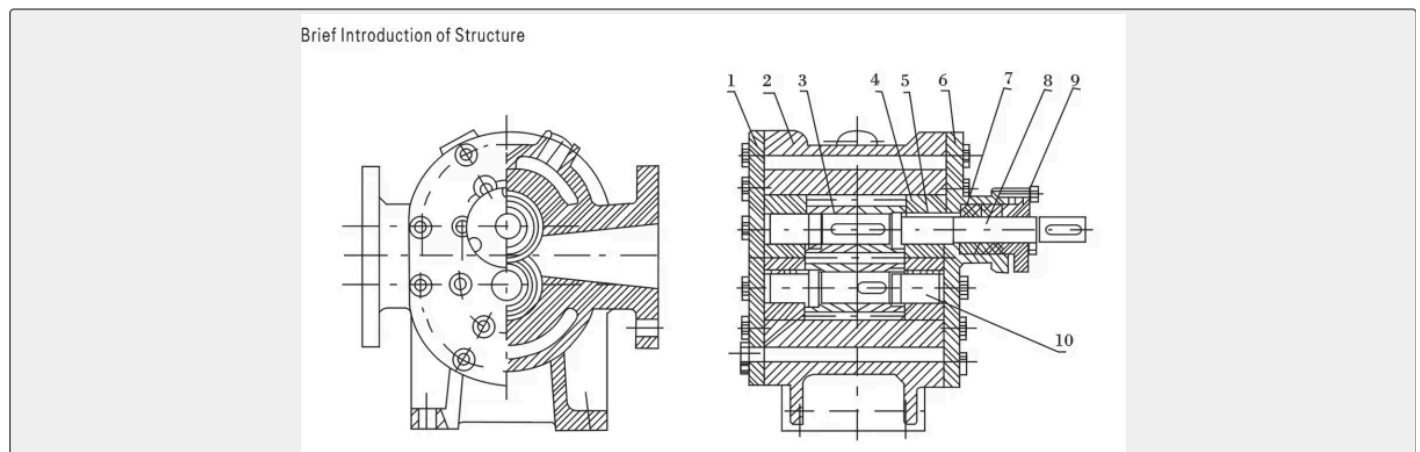
This series of heat insulating gear pump is used to transfer different medium, such as heavy oil, asphalt, resin, detergent and glue, which not includes solid particles and the temperature not higher than 300C, with solidifying character under the normal temperature. It also applies to the site with heat-insulated requirement in the process technology and outdoor installation at very cold area.



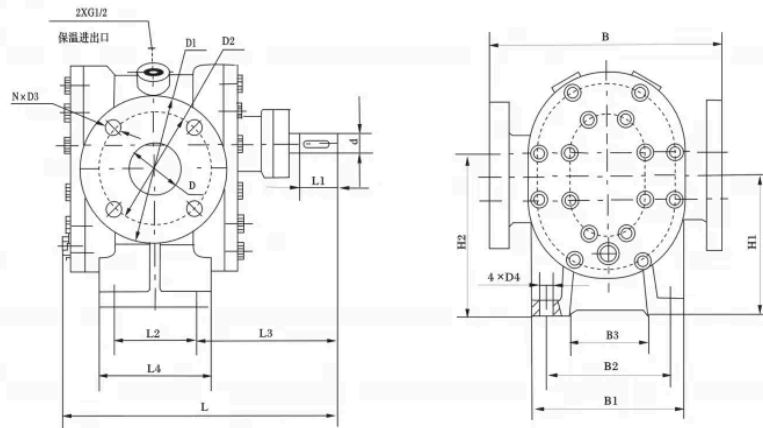
This series of heat insulating gear pump belongs to external gear pump. The tooth form is composite formed by arc and sine curve. It could transfer many kinds of medium with steady output flow and pressure. There are heat insulating jacket and inlet and outlet joints on the pump casing, so it could adopt the media, such as heat-conducting oil, steam, hot water and cold water to heat, keep warm and cooling the transferred medium and pump. When the viscosity of transferred medium is larger than 1500cSt, speed should be reduced.



Technica data:



Model	Port mm	Capacity m ³ /h	Differential Pressure MPa	Speed r/min	Motor Power KW
YCB0.6-0.6G	φ25	0.6	0.6	910	0.75
YCB1.6-0.6G	φ32	1.6		910	0.75
YCB3.3-0.6G	φ40	3.3		940	1.5
YCB4-0.6G	φ50	4		940	1.5
YCB8-0.6G	φ65	5		950	3
YCB10-0.6G	φ65	10		970	4
YCB20-0.6G	φ80	20		970	7.5
YCB25-0.6G	φ80	25		970	11
YCB30-0.6G	φ100	30		970	11
YCB40-0.6G	φ125	40		970	15
YCB50-0.6G	φ155	50		970	22



Model	L	L1	L2	L3	L4	B	B1	B2	B3
YCB0.6(1.0)-0.6G	190	30	45	107.5	66	200	140	120	70
YCB1.6(2.5)-0.6G	210	32	55	118.5	80	225	145	120	72
YCB3.3(5)-0.6G	252.2	35	70	132.8	98	224	148	120	75
YCB4(6)-0.6G	264.2	35	80	134.8	108	224	148	120	75
YCB8(12)-0.6G	317.3	45	100	158.5	138	300	178	140	90
YCB10(15)-0.6G	337.3	45	100	168.5	138	300	178	140	90
YCB20-0.6G	406.3	55	135	201	182	340	226	180	118
YCB25-0.6G	436.3	55	135	216	182	340	226	180	118
YCB30-0.6G	465.8	60	150	236	200	350	240	190	126
YCB40-0.6G	511.5	70	175	251.5	225	360	260	210	140
YCB50-0.6G	506.5	70	175	246.5	225	360	260	210	140

Model	H	H1	D	D1	NxD3	4xD4	d
YCB0.6(1.0)-0.6G	105	117	φ25	φ110	4xφ16	4xφ9	φ12
YCB1.6(2.5)-0.6G	109.7	125	φ32	φ135	4xφ18	4xφ12	φ14
YCB3.3(5)-0.6G	132.6	155	φ40	φ130	4xφ14	4xφ13	φ18
YCB4(6)-0.6G	132.6	155	φ50	φ140	4xφ14	4xφ13	φ18
YCB8(12)-0.6G	150	180	φ65	φ160	4xφ14	4xφ13	φ24
YCB10(15)-0.6G	150	180	φ65	φ180	4xφ18	4xφ13	φ24
YCB20-0.6G	170.8	210	φ80	φ190	4xφ18	4xφ18	φ32
YCB25-0.6G	170.8	210	φ80	φ190	4xφ18	4xφ18	φ32
YCB30-0.6G	181	225	φ100	φ210	4xφ18	4xφ18	φ35
YCB40-0.6G	197	245	φ125	φ255	4xφ18	4xφ18	φ40
YCB50-0.6G	197	245	φ125	φ255	4xφ18	4xφ18	φ40