

Jinbo Marine

Marine & Offshore Equipment Datasheet

PRODUCT DATASHEET

YHC MARINE WHISTLE SYSTEM

YCQ-5 Flush Type Mic Socket Box

YCQ-5 Flush Type Mic Socket Box 1) Annex III of Convention on The International Regulations for Preventing Collision at Sea (COLREG) 1972 and its Amendments. 2)Maritime Administration of the People's Republic of C...

ISO9001 Supplier

Class Certificate

Export Supply



Key Highlights

Category	YHC Marine Whistle System
Standard	EN
Material	RAL9005 Shell material:
Certificate	ABS, LR, BV, DNVGL, NK, KR, IRS, RMRS, CCS

We can supply according to your requirement, drawings, class certificate needs, and delivery schedule.

Technical Specifications

Category	YHC Marine Whistle System	Model / SKU	YCQ-5-Flush-Type-Mic-Socket-Box
Standard	EN	Material	RAL9005 Shell material:
Certificate	ABS, LR, BV, DNVGL, NK, KR, IRS, RMRS, CCS	Warranty	12 Months unless specified otherwise
Origin	China		

China YCQ-5 Flush Type Mic Socket Box:

YCQ-5 Flush Type Mic Socket Box

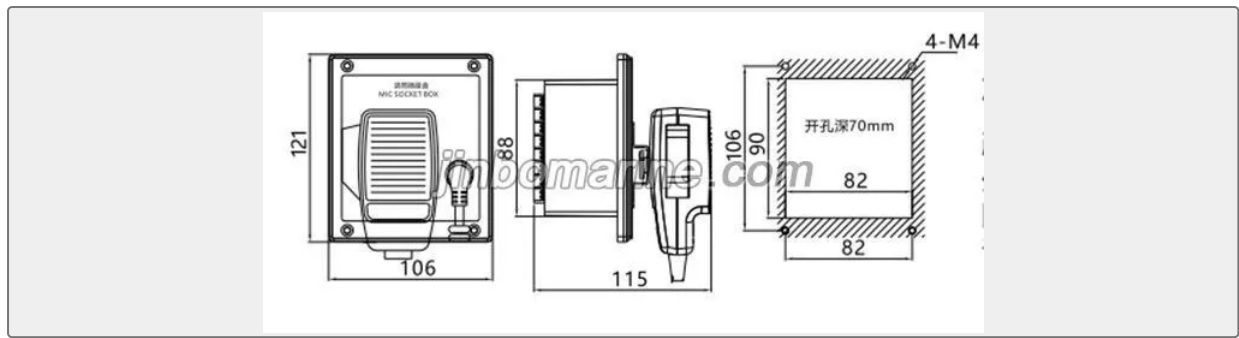
1) Annex III of Convention on The International Regulations for Preventing Collision at Sea (COLREG) 1972 and its Amendments.

2)Maritime Administration of the People's Republic of China: "Regulations on Legal Inspection of Ships and Marine Facilities-Domestic Navigation Sea Vessels Legal Inspection Regulations" Chapter 13 of Part 4

3) Maritime Administration of the People's Republic of China: "Regulations on Legal Inspection of Ships and Marine Facilities -Domestic Navigation Sea Vessels Legal Inspection Regulations" Chapter 8 of Part 4

4)IEC 60945:2002/COR1:2008 Maritime Navigation and Radiocommunication Equipment and Systems General Requirements-Methods of Testing and Require Test Results.





Colour: RAL9005

Shell material: ABS

IP rating: IP24

Microphone cable: 3M