

MARINE ELECTRIC MOTOR

YE3 Series Three-Phase Asynchronous Motor

Introduction YE3 series motors Performance indexes Frame 80 ~ 355 Output 0.75 ~ 375kW Duty S1 Cooling IC411 Synchronous speed: 3000, 1500, 1000r/min Rated voltage and freque...

- ISO9001 Supplier
- Class Certificate
- Export Supply



Key Highlights

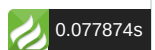
Category	Marine Electric Motor
Standard	DIN
Weight / Size	86 3008 1.8 6.8 2.0 91 Conventional mounting type and suitable frame siz...
Certificate	CCS/LR/DNV/KR

We can supply according to your requirement, drawings, class certificate needs, and delivery schedule.

Technical Specifications

Category	Marine Electric Motor	Model / SKU	YE3-Series-Three-Phase-Asynchronous-Motor
----------	-----------------------	-------------	---

--	--	--	--



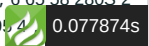
Standard

DIN

Weight / Size

86 3008 1.8 6.8 2.0 91 Conventional mounting type and suitable frame size are given in following table (with^v) Frame Basic type Derived type B3 B5 B35 VI V3 V5 V6 B6 B7 B8 V15 V36 B14 B34 V18 80 ~112 J J J — J J J J J J J J J J 132 ~160 V V V — V V V V V V V V — — 180 ~280 J J J J — — — — — — — — 315 ~355 V — V V — — — — — — — —

— — Dimensions B14 The motor of frame without feet,end-shield with flange (with threaded holes) Frame size Poles Mounting Dimension Over Dimension D E F G M N P R S T AC AD HF L 80M 2,4 19 40 6 15.5 100 80 120 0 4-M6 3.0 175 145 — 305 90S 2,4,6 24 50 8 20 115 95 140 4-M8 195 165 360 90L 390 100L 28 60 24 130 110 160 3.5 215 180 245 435 112M 255 200 265 440 B34 The motor of frame with feet,end-shield with flange (with threaded holes) Frame size Poles Mounting Dimension Over Dimension A B C D E F G H K M N P R S T AA BB HA AB AC AD HD L 80M 2,4 125 100 50 19 40 6 15.5 80 10 100 80 120 0 4-M6 3 34 142 10 165 175 145 225 305 90S 2,4,6 140 100 56 24 50 8 20 90 115 95 140 4-M8 36 180 12 180 195 165 260 360 90L 125 210 390 100L 160 140 63 28 60 24 100 12 130 110 160 3.5 40 233 14 205 215 180 270 435 112M 190 140 70 28 60 112 45 220 15 230 255 200 310 440 B3 The motor of frame with feet,end-shield without flange Frame size poles Mounting Dimension Over Dimension A B C D E F G H K AA BB HA AB AC AD HD L 80M 2.4 125 100 50 19 40 6 15.5 80 10 34 142 10 165 175 145 220 305 90S 2,4,6 140 100 56 24 50 8 20 90 36 180 12 180 205 170 265 360 90L 125 56 210 390 100L 160 140 63 28 60 24 100 12 40 233 14 205 215 180 270 435 112M 190 70 112 45 220 15 230 255 200 310 440 132S 216 89 38 80 10 33 132 55 226 18 270 310 230 365 510 132M 178 256 550 160M 254 210 108 42 110 12 37 160 14.5 65 315 20 320 340 275 430 670 160L 254 355 710 180M 279 241 121 48 14 42.5 180 70 359 22 349 380 280 455 740 180L 279 394 780 200L 318 305 133 55 16 49 200 18.5 70 454 25 388 445 335 535 890 225S 4 356 286 149 60 140 18 53 225 75 431 28 435 470 350 575 890 225M 2 311 55 110 16 49 466 895 4.6 60 140 18 53 925 250M 2 406 349 168 60 140 18 53 250 24 80 515 30 484 535 390 635 990 4.6 65 58 280S 2 457 368 190 280 85 510 35 550 595 425 705 995 4.6 75 20 67.5 280M 2 419 65 18 58 550 1040 4.6 75 20 67.5 315S 2 508 406 216 65 18 58 315 28 120 570 45 635 645 530 845 1200 4.6 80 170 22 71 315M 2 457 65 140 18 58 680 1310 4.6 80 170 22 71 315L 2 508 65 140 18 58 4.6 80 170 22 71 355M 2 610 560 254 75 140 20 67.5 355 116 750 52 730 710 655 1010 1515 4.6 95 170 25 86 1555 355L 2 630 75 140 20 67.5 1515 4.6 95 170 25 86 1555 355 1/2 2 630 800 224 80 170 22 71 355 35 135 1140 52 760 780 — 1150 1880 4 110 210 28 100 1910 355 2 6 1930 B5 The motor of frame without feet,end-shield with flange (with through holes) Frame size Poles Mounting Dimension Over Dimension D E F G M N P R S T AC AD HF L 80M 2,4 19 40 6 15.5 165 130 200 0 4-Φ12 3.5 175 145 — 305 90S 2,4,6 24 50 8 20 195 165 360 90L 390 100L 28 60 24 215 180 250 4-Φ14.5 4 215 180 240 435 112M 255 200 275 435 132S 38 80 10 33 265 230 300 0 310 230 360 510 132M 540 160M 42 110 12 37 300 250 350 0 4-Φ18.5 5 340 275 410 670 160L 710 180M 48 14 42.5 380 280 430 740 180L 780 200L 55 16 49 350 300 400 0 445 335 490 890 225S 4 60 140 18 53 400 350 450 0 8-Φ18.5 470 350 540 890 225M 2 55 110 16 49 895 4,6 60 140 18 53 925 250M 2 500 450 550 0 535 390 620 990 4,6 65 58 280S 2 595 425 675 995 4,6 75 20 67.5 280M 2 65 18 58 1040 4,6 75 20 67.5 B35 The frame with feet,end-shield with flange (with through holes) Frame size Poles Mounting Dimension Over Dimension A B C D E F G H K M N P R S T AA BB HA AB AC AD HD L 80M 2 , 4 125 100 50 19 40 6 15.5 80 10 165 130 200 0 4-Φ12 3.5 34 142 10 165 175 145 225 305 90S 2,4,6 140 56 24 50 8 20 90 36 180 12 180 205 170 265 360 90L 125 220 390 100L 160 140 63 28 60 24 100 12 215 180 250 0 4-Φ14.5 4 40 233 14 205 215 180 270 435 112M 190 70 112 45 220 15 230 255 200 310 435 132S 216 89 38 80 10 33 132 265 230 300 55 226 18 265 310 230 365 510 132M 178 256 550 160M 254 210 108 42 110 12 37 160 14.5 300 250 350 0 4-Φ18.5 5 65 315 20 320 340 275 430 670 160L 254 355 710 180M 279 241 121 48 14 42.5 180 70 359 22 349 380 280 455 740 180L 279 394 780 200L 318 305 133 55 16 49 200 18.5 350 300 400 454 25 388 445 335 535 890 225S 4 356 286 149 60 140 18 53 225 400 350 450 0 8-Φ18.5 75 431 28 435 470 350 575 890 225M 2 311 55 110 16 49 466 895 4 , 6 60 140 18 53 925 250M 2 406 349 168 53 250 24 500 450 550 80 515 30 484 535 390 635 990 4 , 6 65 58 280S 2 457 368 190 280 85 510 35 550 595 425 705 995 4



		67.5 280M 2 419 65 18 58 550 1040 4 , 6 75 20 67.5 315S 2 508 406 216 65 18 58 315 28 600 550 660 8-Φ24 6 120 570 45 635 645 530 845 1200 4 , 6 80 170 22 71 315M 2 457 65 140 18 58 680 1310 4 , 6 80 170 22 71 315L 2 508 65 140 18 58 4 , 6 80 170 22 71 355M 2 610 560 254 75 140 20 67.5 355 740 680 800 116 750 52 730 710 655 1010 1515 4 , 6 95 170 25 86 1555 355L 2 630 75 140 20 67.5 1515 4 , 6 95 170 25 86 1555 355 1/2 2 630 800 224 80 170 22 71 355 35 840 780 900 135 1140 52 760 780 — 1150 1880 4 110 210 28 100 1910 355 2 6 1930 V1 The motor of frame without feet,end-shield with flange (with through holes) Frame size Poles Mounting Dimension Over Dimension D E F G M N P R S T AC AD HF L 180M 2,4,6 48 110 14 42.5 300 250 350 0 4-Φ18.5 5 380 280 485 800 180L 840 200L 55 16 49 350 300 400 445 335 565 960 225S 4 60 140 18 53 400 350 450 0 8-Φ18.5 470 350 610 980 225M 2 55 110 16 49 985 4 , 6 60 140 18 53 1015 250M 2 500 450 550 0 535 390 685 1095 4 , 6 65 58 280S 2 595 425 790 1120 4 , 6 75 20 67.5 280M 2 65 18 58 1155 4 , 6 75 20 67.5 315S 2 65 18 58 600 550 660 8-Φ24 6 645 530 870 1390 4 , 6 80 170 22 71 1420 315M 2 65 140 18 58 1490 4 , 6 80 170 22 71 1520 315L 2 65 140 18 58 1490 4 , 6 80 170 22 71 1520 355M 2 75 140 20 67.5 740 680 800 710 655 1010 1615 4 , 6 95 170 25 86 1655 355L 2 75 140 20 67.5 1615 4 , 6 95 170 25 86 1655 355 1/2 2 80 170 22 71 840 780 900 780 795 1220 1990 4 110 210 28 100 2020 355 2 6 2040	
Certificate	CCS/LR/DNV/KR	Warranty	12 Months unless specified otherwise
Origin	China		

CONTENTS	■ Introduction	■ Technical Data 380V 50Hz Type
	■ Output kW	■ A
	■ r/min	■ Eff. %
	■ P. F	■ N.m

Introduction

YE3 series motors Performance indexes

Frame 80 ~ 355

Output 0.75 ~ 375kW

Duty S1

Cooling IC411

Synchronous speed: 3000, 1500, 1000r/min

Rated voltage and frequency: 380v, 50Hz

Efficiency level : Grade 2 (GB18613-2012)

Application:Energy saving applications where continuous offrequent duty is required.Such as blowers,pumps,etc.

Features:These series motors have many virtues,including beautiful profile,high efficiency and energysaving,insulation class F,the protective class is IP55,motor runs with low noise,little vibration and high reliability

Type	Output kW	A	r/min	Eff. %	P. F	N.m	Tst Tn	Ist In	Tax Tn	dB (A)
Synchronous speed 3000r/min										
YE3-80M1-2	0.75	1.7	2895	80.7	0.82	2.5	2.3	7.0	2.3	62
YE3-80M2-2	1.1	2.4	2890	82.7	0.83	3.7	2.2	7.3	2.3	62
YE3-90S-2	1.5	3.2	2900	84.2	0.84	5.0	2.2	7.6	2.3	67
YE3-90L-2	2.2	4.6	2900	85.9	0.85	7.3	2.2	7.6	2.3	67
YE3-100L-2	3	6.0	2880	87.1	0.87	9.9	2.2	7.8	2.3	74
YE3-112M-2	4	7.8	2915	88.1	0.88	13.1	2.2	8.3	2.3	77
YE3-132S1-2	5.5	10.6	2945	89.2	0.88	17.9	2.0	8.3	2.3	79
YE3-132S2-2	7.5	14.4	2940	90.1	0.88	24.4	2.0	7.9	2.3	79
YE3-160M1-2	11	20.6	2950	91.2	0.89	35.7	2.0	8.1	2.3	0.077874s

Technical Data 380V 50Hz

YE3-160M2-2	15	27.9	2950	91.9	0.89	48.6	2.0	8.1	2.3	81
YE3-160L-2	18.5	34.2	2950	92.4	0.89	60.0	2.0	8.2	2.3	81
YE3-180M-2	22	40.5	2965	92.7	0.89	71.2	2.0	8.2	2.3	83
YE3-200L1-2	30	54.9	2970	93.3	0.89	96.6	2.0	7.6	2.3	84
YE3-200L2-2	37	67.4	2975	93.7	0.89	119	2.0	7.6	2.3	84
YE3-225M-2	45	80.8	2975	94.0	0.90	145	2.0	7.7	2.3	86
YE3-250M-2	55	98.5	2975	94.3	0.90	177	2.0	7.7	2.3	89
YE3-280S-2	75	134	2975	94.7	0.90	241	1.8	7.1	2.3	91
YE3-280M-2	90	160	2975	95.0	0.90	289	1.8	7.1	2.3	91
YE3-315S-2	110	195	2980	95.2	0.90	352	1.8	7.1	2.3	92
YE3-315M-2	132	234	2980	95.4	0.90	422	1.8	7.1	2.3	92
YE3-315L1-2	160	279	2980	95.6	0.91	512	1.8	7.2	2.3	92
YE3-315L2-2	200	349	2980	95.8	0.91	640	1.8	7.2	2.2	92
YE3-355M-2	250	436	2985	95.8	0.91	800	1.6	7.2	2.2	100
YE3-355L-2	315	549	2985	95.8	0.91	1008	1.6	7.2	2.2	100
YE3-3551-2	355	619	2990	95.8	0.91	1130	1.6	7.2	2.2	104
YE3-3552-2	375	654	2985	95.8	0.91	1194	1.6	7.2	2.2	104

Technical Data 380V 50Hz

Type	Output kW	A	r/min	Eff. %	P. F	N.m	Tst Tn	Ist In	Tax Tn	dB (A)
------	--------------	---	-------	-----------	------	-----	-----------	-----------	-----------	-----------

Synchronous speed 1500r/min

YE3-90S-41.1	2.6	1440	84.1	0.76	7.3	2.3	6.8	2.3	59	
YE3-90L-41.5	3.5	1440	85.3	0.77	10.0	2.3	7.0	2.3	59	
YE3-100L1-4	2.2	4.8	1440	86.7	0.81	14.6	2.3	7.6	2.3	64
YE3-100L2-4	3	6.3	1440	87.7	0.82	19.9	2.3	7.6	2.3	64
YE3-112M-4	4	8.4	1460	88.6	0.82	26.3	2.2	7.8	2.3	65
YE3-132S-4	5.5	11.2	1475	89.6	0.83	35.9	2.0	7.9	2.3	71
YE3-132M-4	7.5	15.0	1470	90.4	0.84	48.9	2.0	7.5	2.3	71
YE3-160M-4	11	21.5	1475	91.4	0.85	71.5	2.2	7.7	2.3	73
YE3-160L-4	15	28.8	1475	92.1	0.86	97.4	2.2	7.8	2.3	73
YE3-180M-4	18.5	35.3	1480	92.6	0.86	120	2.0	7.8	2.3	76
YE3-180L-4	22	41.8	1480	93.0	0.86	143	2.0	7.8	2.3	76
YE3-200L-4	30	56.6	1485	93.6	0.86	194	2.0	7.3	2.3	76
YE3-225S-4	37	69.6	1485	93.9	0.86	239	2.0	7.4	2.3	78

YE3-225M-4	45	84.4	1485	94.2	0.86	290	2.0	7.4	2.3	78
YE3-250M-4	55	103	1485	94.6	0.86	354	2.2	7.4	2.3	79
YE3-280S-4	75	136	1490	95.0	0.88	481	2.0	6.9	2.3	80
YE3-280M-4	90	163	1490	95.2	0.88	577	2.0	6.9	2.3	80
YE3-315S-4	110	197	1490	95.4	0.89	705	2.0	7.0	2.2	88
YE3-315M-4	132	236	1490	95.6	0.89	846	2.0	7.0	2.2	88
YE3-315L1-4	160	285	1490	95.8	0.89	1026	2.0	7.1	2.2	88
YE3-315L2-4	200	352	1490	96.0	0.90	1282	2.0	7.1	2.2	88
YE3-355M-4	250	440	1490	96.0	0.90	1597	2.0	7.1	2.2	95
YE3-355L-4	315	554	1490	96.0	0.90	2012	2.0	7.1	2.2	95
YE3-3551-4	355	639	1490	96.0	0.88	2260	1.7	7.0	2.2	102
YE3-3552-4	375	675	1490	96.0	0.88	2388	1.7	7.0	2.2	102

Technical Data 380V 50Hz

Type	Output kW	A	r/min	Eff. %	P. F	N.m	Tst Tn	Ist In	Tax Tn	dB (A)
------	-----------	---	-------	--------	------	-----	--------	--------	--------	--------

Synchronous speed 1000r/min

YE3-90L-6	1.1	2.8	960	81.0	0.73	11.1	2.0	6.0	2.1	57
YE3-100L-6	1.5	3.8	960	82.5	0.73	15.1	2.0	6.5	2.1	61
YE3-112M-6	2.2	5.4	970	84.3	0.74	21.8	2.0	6.6	2.1	65
YE3-132S-6	3	7.2	975	85.6	0.74	29.4	2.0	6.8	2.1	69
YE3-132M1-6	4	9.5	975	86.8	0.74	39.2	2.0	6.8	2.1	69
YE3-132M2-6	5.5	12.7	975	88.0	0.75	53.9	2.0	7.0	2.1	69
YE3-160M-6	7.5	16.2	980	89.1	0.79	73.1	2.0	7.0	2.1	73
YE3-160L-6	11	23.1	980	90.3	0.80	107	2.0	7.2	2.1	73
YE3-180L-6	15	30.9	985	91.2	0.81	146	2.0	7.3	2.1	73

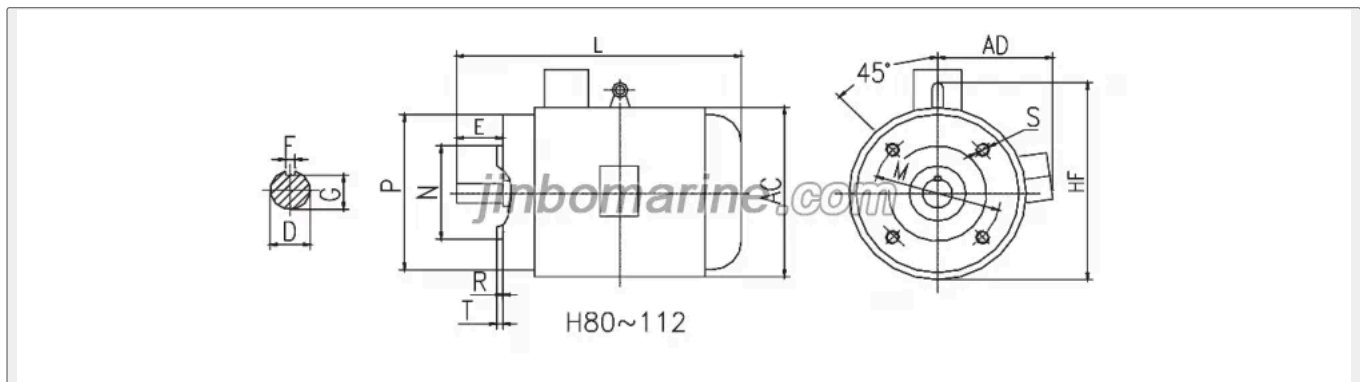
YE3-200L1-6	18.5	37.8	985	91.7	0.81	179	2.0	7.3	2.1	73
YE3-200L2-6	22	44.8	985	92.2	0.81	213	2.0	7.4	2.1	73
YE3-225M-6	30	59.1	990	92.9	0.83	291	2.0	6.9	2.1	74
YE3-250M-6	37	71.7	985	93.3	0.84	359	2.0	7.1	2.1	76
YE3-280S-6	45	85.8	990	93.7	0.85	434	2.0	7.3	2.0	78
YE3-280M-6	55	103	990	94.1	0.86	531	2.0	7.3	2.0	78
YE3-315S-6	75	143	990	94.6	0.84	723	2.0	6.6	2.0	83
YE3-315M-6	90	170	990	94.9	0.85	868	2.0	6.7	2.0	83
YE3-315L1-6	110	207	990	95.1	0.85	1061	2.0	6.7	2.0	83
YE3-315L2-6	132	244	990	95.4	0.86	1273	2.0	6.8	2.0	83
YE3-355M1-6	160	296	990	95.6	0.86	1536	1.8	6.8	2.0	85
YE3-355M2-6	200	365	990	95.8	0.87	1920	1.8	6.8	2.0	85
YE3-355L-6	250	456	995	95.8	0.87	2399	1.8	6.8	2.0	85
YE3-3552-6	315	581	990	95.8	0.86	3008	1.8	6.8	2.0	91

Conventional mounting type and suitable frame size are given in following table (with "v")

Frame	Basic type			Derived type											
	B3	B5	B35	VI	V3	V5	V6	B6	B7	B8	V15	V36	B14	B34	V18
80 ~112	J	J	J	—	J	J	J	J	J	J	J	J	J	J	J
132 ~160	V	V	V	—	V	V	V	V	V	V	V	V	—	—	—
180 ~280	J	J	J	J	—	—	—	—	—	—	—	—	—	—	—
315 ~355	V	—	V	V	—	—	—	—	—	—	—	—	—	—	—

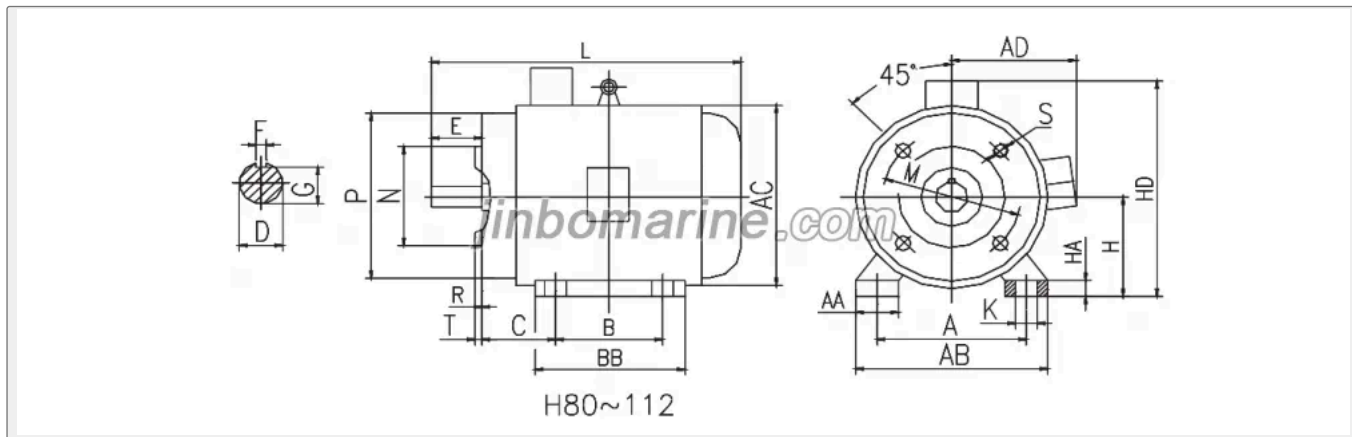
Dimensions

B14 The motor of frame without feet, end-shield with flange (with threaded holes)



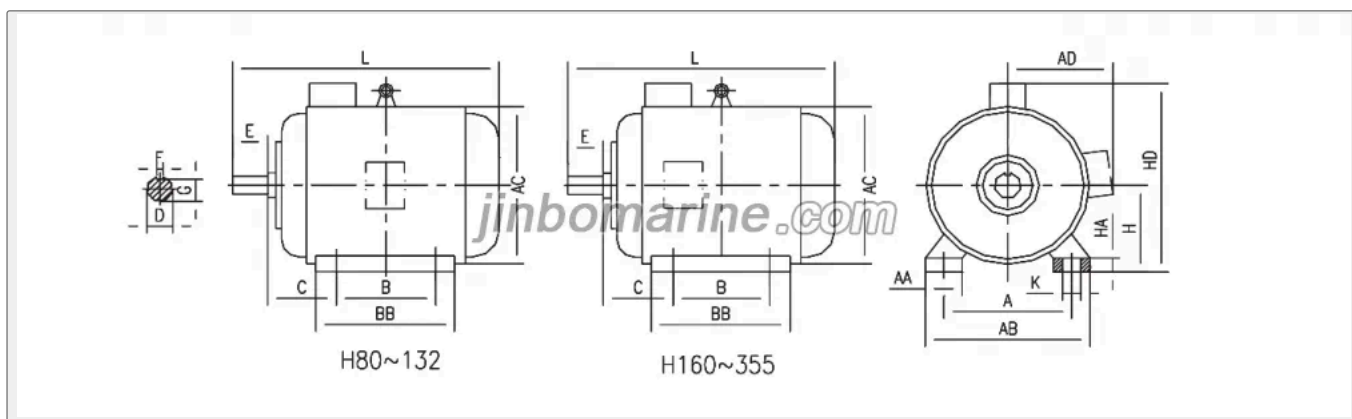
Frame size	Poles	Mounting Dimension										Over Dimension			
		D	E	F	G	M	N	P	R	S	T	AC	AD	HF	L
80M	2,4	19	40	6	15.5	100	80	120		4-M6		175	145		305
90S		24	50		20	115	95	140			3.0	195	165	—	360
90L				8					0						390
100L	2,4,6									4-M8		215	180	245	435
112M		28	60		24	130	110	160			3.5	255	200	265	440

B34 The motor of frame with feet, end-shield with flange (with threaded holes)



Frame size	Poles	Mounting Dimension													Over Dimension									
		A	B	C	D	E	F	G	H	K	M	N	P	R	S	T	AA	BB	HA	AB	AC	AD	HD	L
80M	2,4	125	100	50	19	40	6	15.5	80		100	80	120	4-M6		34	142	10	165	175	145	225	305	
90S			100	56	24	50		20	90	10	115	95	140		3	36	180	12	180	195	165	260	360	
90L			125	56			8							0			210						390	
100L	2,4,6	160	140	63	28	60		100			12	130	110	160	4-M8		40	233	14	205	215	180	270	435
112M		190	140	70	28	60		112							3.5	45	220	15	230	255	200	310	440	

B3 The motor of frame with feet, end-shield without flange

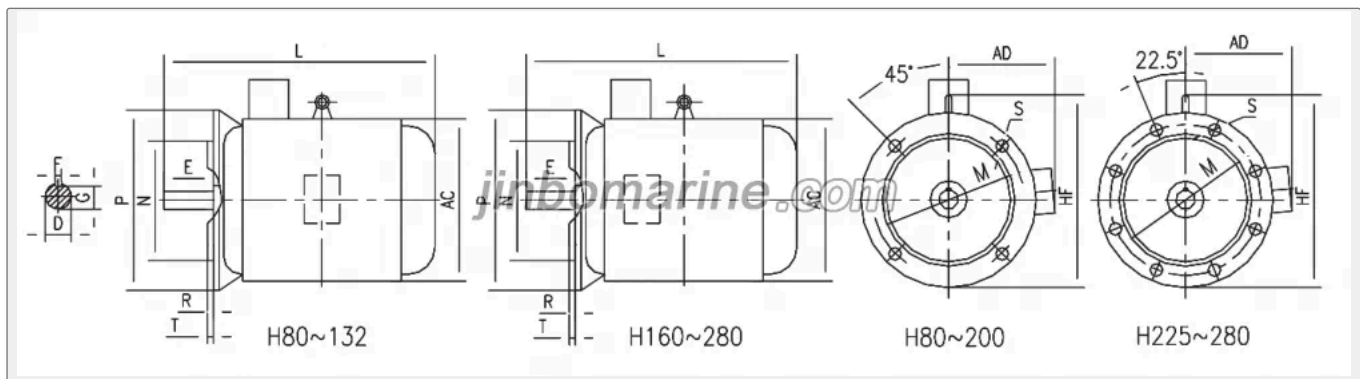


Frame size	poles	Mounting Dimension										Over Dimension							
		A	B	C	D	E	F	G	H	K	AA	BB	HA	AB	AC	AD	HD	L	
80M	2.4	125	100	50	19	40	6	15.5	80		34	142	10	165	175	145	220	305	
90S	2,4,6		100	56	24	50		20	90	10	36	180	12	180	205	170	265	360	
90L			125	56			8					210					390		
100L		160	140	63	28	60		100			40	233	14	205	215	180	270	435	
112M		190	140	70	28	60		112			45	220	15	230	255	200	310	440	
132S									12			226					510		
132M		216	178	89	38	80	10	33	132		55	256	18	270	310	230	365	550	



160M		210								315						670		
160L		254	108	42		12	37	160		65	20	320	340	275	430	710		
180M		241			110				14.5							740		
180L		279	121	48		14	42.5	180		70	22	349	380	280	455	780		
200L		318	305	133	55		16	49	200	70	25	388	445	335	535	890		
225S	4		286		60	140	18	53								890		
225M	2	356	311	149	55	110	16	49	225	18.5	75	466	28	435	470	350	575	895
	4.6				60	140	18	53										925
250M	2				60			53	250		80	515	30	484	535	390	635	990
	4.6	406	349	168	65		18	58										
280S	2																	
	4.6		368		75	140	20	67.5		24		510						995
		457		190	65		18	58	280		85		35	550	595	425	705	
280M	2				75		20	67.5				550						1040
	4.6		419		75		20	67.5										
					65		18	58										
315S	2				65		18	58				570						1200
	4.6		406		80	170	22	71										
					65	140	18	58										
315M	2	508	457	216	80	170	22	71	315		120		45	635	645	530	845	
	4.6				80	170	22	71				680						1310
					65	140	18	58										
315L	2				80	170	22	71		28								
	4.6		508		75	140	20	67.5										1515
					95	170	25	86										1555
355M	2	610		254	75	140	20	67.5	355		116	750	52	730	710	655	1010	1515
	4.6				95	170	25	86										1555
355L	2				80	170	22	71										1880
	4.6		630		80	170	22	71										1880
355 1/2	2				80	170	22	71										1880
	4	630	800	224	110	210	28	100	355	35	135	1140	52	760	780	—	1150	1910
355 2	6																	1930

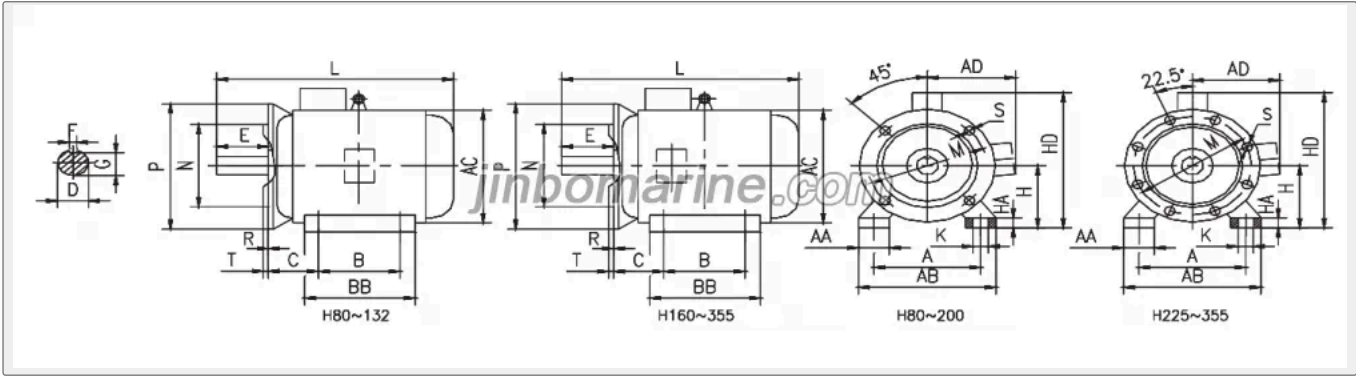
B5 The motor of frame without feet, end-shield with flange (with through holes)



Frame size	Poles	Mounting Dimension										Over Dimension			
		D	E	F	G	M	N	P	R	S	T	AC	AD	HF	L
80M	2,4	19	40	6	15.5							175	145		305
90S		24	50		20	165	130	200		4-Φ12	3.5	195	165	—	360
90L				8					0						390
100L		28	60		24	215	180	250				215	180	240	435
112M										4-Φ14.5	4	255	200	275	435
132S		38	80	10	33	265	230	300	0			310	230	360	510
132M	2,4,6														540
160M		42		12	37										670
160L						300	250	350	0	4-Φ18.5		340	275	410	710
180M		48	110		14	42.5									740
180L												380	280	430	780
200L		55		16	49	350	300	400	0			445	335	490	890
225S	4	60	140	18	53										890
225M	2	55	110	16	49	400	350	450	0			470	350	540	895
	4,6										5				925
	2	60			53										
250M	2				18							535	390	620	990
	4,6	65			58					8-Φ18.5					
280S	2		140												
	4,6	75		20	67.5	500	450	550	0			595	425	675	995
280M	2	65		18	58										1040
	4,6	75		20	67.5										

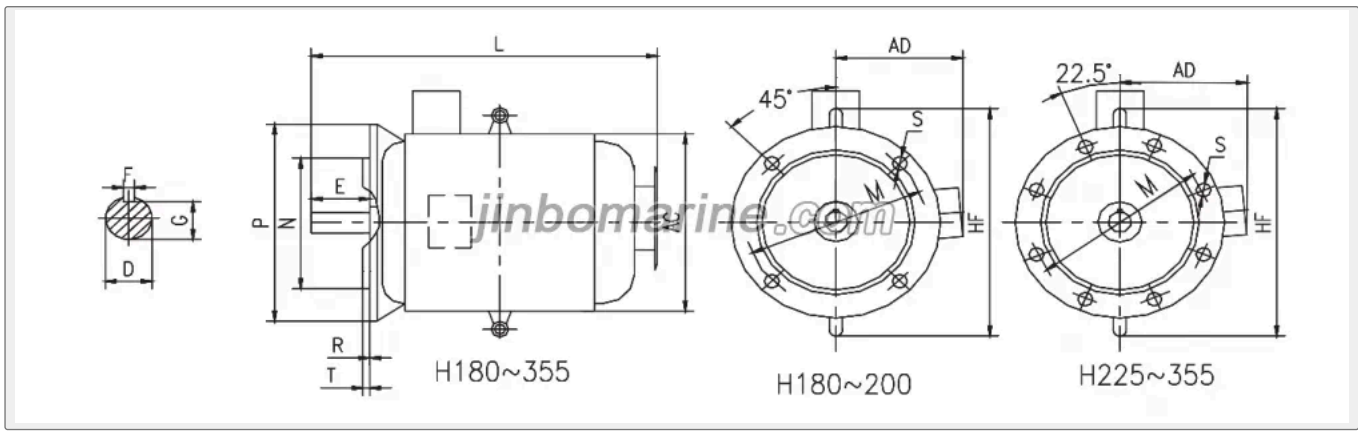


B35 The frame with feet, end-shield with flange (with through holes)



Frame size	Poles	Mounting Dimension													Over Dimension										
		A	B	C	D	E	F	G	H	K	M	N	P	R	S	T	AA	BB	HA	AB	AC	AD	HD	L	
80M	2, 4	125	100	50	19	40	6	15.5	80								34	142	10	165	175	145	225	305	
90S		140	125	56	24	50		20	90	10	165	130	200	0	4-Φ12	3.5	36	180	12	180	205	170	265	360	
90L														8				220		220				390	
100L		160		63	28	60		24	100			215	180	250			40	233	14	205	215	180	270	435	
112M		190	140	70					112	12					0	4-Φ14.5	4	45	220	15	230	255	200	310	435
132S		216		89	38	80	10	33	132		265	230	300				55	226	18	265	310	230	365	510	
132M	2,4,6		178															256						550	
160M		254		210	108	42		12	37	160							65	315	20	320	340	275	430	670	
160L			254															355						710	
180M		279	241	121	48	110		14	42.5	180	14.5	300	250	350	0	4-Φ18.5		359						740	
180L			279														70	394	22	349	380	280	455	780	
200L		318	305	133	55		16	49	200		350	300	400					454	25	388	445	335	535	890	
225S	4		286		60	140	18	53										431						890	
225M	2	356		149	55	110	16	49	225	18.5	400	350	450				5	75	28	435	470	350	575	895	
225L	4, 6		311					53										466						925	
250M	2	406	349	168			18	53	250									80	515	30	484	535	390	635	990
250L	4, 6				65			58							8-Φ18.5										
280S	2		368		75	140				24	500	450	550					510						995	
280L	4, 6	457		190	65		18	58	280								85		35	550	595	425	705		
315S	2		406		65		18	58										570						1200	
315L	4, 6				80	170	22	71							0										
315M	2	508	457	216	65	140	18	58	315		600	550	660				120		45	635	645	530	845		
315L	4, 6		508		80	170	22	71										680						1310	
355M	2				75	140	20	67.5																	1515
355L	4, 6		560		95	170	25	86							8-Φ24	6									1555
355L	2	610		254	75	140	20	67.5	355		740	680	800				116	750	52	730	710	655	1010	1515	
355 1/2	4		630		95	170	25	86																	1555
355 1/2	2				80	170	22	71																	1880
355 1/2	4	630	800	224	110	210	28	100	355	35	840	780	900				135	1140	52	760	780	—	1150	1910	
355 2	6																								1930

V1 The motor of frame without feet, end-shield with flange (with through holes)



Frame size	Poles	Mounting Dimension									Over Dimension				
		D	E	F	G	M	N	P	R	S	T	AC	AD	HF	L
180M		48		14	42.5	300	250	350				380	280	485	800
180L	2,4,6		110						0	4-Φ18.5				840	
200L		55		16	49	350	300	400				445	335	565	960
225S	4	60	140	18	53									980	
225M	2	55	110	16	49	400	350	450	0			470	350	610	985
	4, 6	60			53						5			1015	
250M	2			18								535	390	685	1095
	4, 6	65			58				8-Φ18.5						
280S	2		140			500	450	550						1120	
	4, 6	75		20	67.5						595	425	790		
280M	2	65		18	58									1155	
	4, 6	75		20	67.5										
315S	2	65		18	58									1390	
	4, 6	80	170	22	71									1420	
315M	2	65	140	18	58	600	550	660	0		645	530	870	1490	
	4, 6	80	170	22	71									1520	
315L	2	65	140	18	58									1490	
	4, 6	80	170	22	71									1520	
355M	2	75	140	20	67.5					8-Φ24	6			1615	
	4, 6	95	170	25	86	740	680	800				710	655	1010	1655
355L	2	75	140	20	67.5									1615	
	4, 6	95	170	25	86									1655	
355 1/2	2	80	170	22	71									1990	
	4	110	210	28	100	840	780	900				780	795	1220	2020
355 2	6													2040	