

# Jinbo Marine

Marine &amp; Offshore Equipment Datasheet

PRODUCT DATASHEET

## CKY MARINE PUBLIC ADDRESS SYSTEM

# YHC15-1/YHC25-1 Horn Speaker

YHC15-1/YHC25-1 Horn Speaker Rated output power and sound pressure level: YHC15-1 15W/114dB ±3dB YHC25-1 25W/117dB ±3dB Color: Sea gray ( B05 ) IP class: IP56 Weight: 2.1Kg ...

ISO9001 Supplier

Class Certificate

Export Supply



### Key Highlights

|               |  |
|---------------|--|
| Category      | CKY Marine Public Address System           |
| Standard      | EN   |
| Weight / Size | IP56 Weight:                               |
| Certificate   | ABS, LR, BV, DNVGL, NK, KR, IRS, RMRS, CCS |

We can supply according to your requirement, drawings, class certificate needs, and delivery schedule.

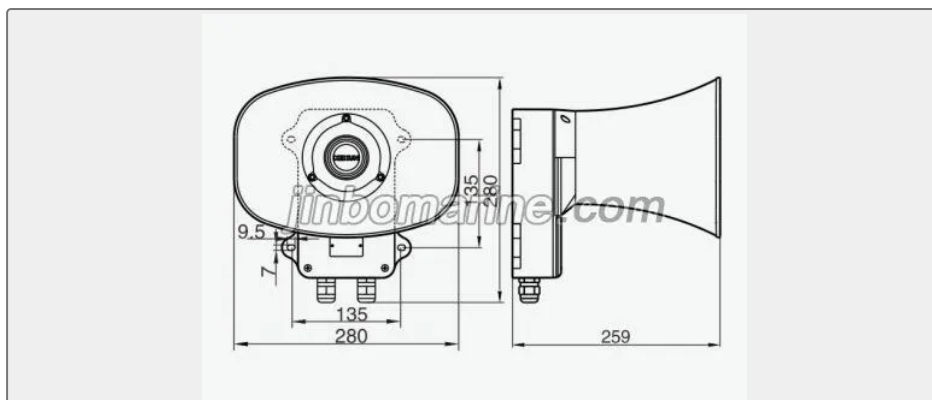
### Technical Specifications

|             |  |               |                                      |
|-------------|--|---------------|--------------------------------------|
| Category    | CKY Marine Public Address System           | Model / SKU   | YHC15-1-YHC25-1-Horn-Speaker         |
| Standard    | EN   | Weight / Size | IP56 Weight:                         |
| Certificate | ABS, LR, BV, DNVGL, NK, KR, IRS, RMRS, CCS | Warranty      | 12 Months unless specified otherwise |
| Origin      | China                                      |               |                                      |

## China YHC15-1/YHC25-1 Horn Speaker:

YHC15-1/YHC25-1 Horn Speaker





Rated output power and sound pressure level:

YHC15-1 15W/114dB  $\pm$ 3dB

YHC25-1 25W/117dB  $\pm$ 3dB

Color: Sea gray ( B05 )

IP class: IP56

Weight: 2.1Kg

Stuffing box cable entrance hole size: 2- $\Phi$ 14mm