

Jinbo Marine

Marine & Offshore Equipment Datasheet

PRODUCT DATASHEET

CKY MARINE PUBLIC ADDRESS SYSTEM

YHC15-1 YHC25-1 Horn-type Loudspeaker

ISO9001 Supplier

Class Certificate

Export Supply

YHC15-1 YHC25-1 Horn-type Loudspeaker 1) Chapter 2 of Part 4 of the "Steel Ship Classification Rules" of the China Classification Society; 2) Chapter VII of International life-saving appliance code, annex, as amen...



Key Highlights

Category	CKY Marine Public Address System
Standard	EN
Material	YHC15-1 YHC25-1 Horn-type Loudspeaker 1) Chapter 2 of Part 4 of the "Ste...
Certificate	ABS, LR, BV, DNVGL, NK, KR, IRS, RMRS, CCS

We can supply according to your requirement, drawings, class certificate needs, and delivery schedule.

Technical Specifications

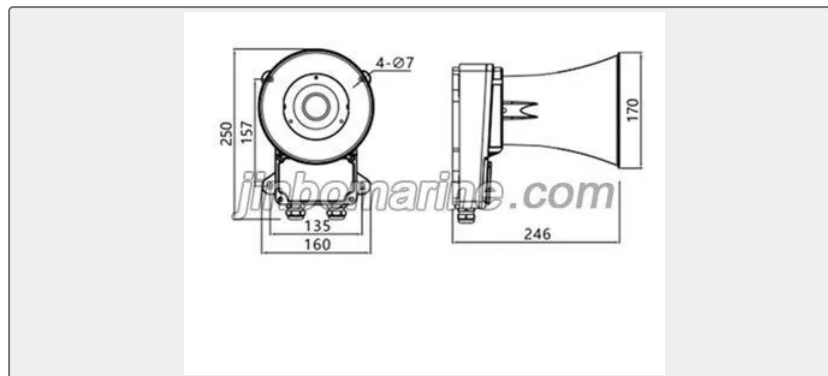
Category	CKY Marine Public Address System	Model / SKU	YHC15-1-YHC25-1-Horn-type-Loudspeaker
Standard	EN	Material	YHC15-1 YHC25-1 Horn-type Loudspeaker 1) Chapter 2 of Part 4 of the "Steel Ship Classification Rules" of the China Classification Society;
Certificate	ABS, LR, BV, DNVGL, NK, KR, IRS, RMRS, CCS	Warranty	12 Months unless specified otherwise
Origin	China		

China YHC15-1 YHC25-1 Horn-type Loudspeaker:

YHC15-1 YHC25-1 Horn-type Loudspeaker



- 1) Chapter 2 of Part 4 of the "Steel Ship Classification Rules" of the China Classification Society;
- 2) Chapter VII of International life-saving appliance code, annex, as amended by msc.218(82);
- 3) IMO resolution A. 1021 (26) code on "Alarm and indicators, 2009".



Colour: BS381C676

Shell material: ABS

Cable gland: 2-M20x1.5

Steady voltage input: 120V

IP rating: IP56

Power and sound level:

5W/105dB±3dB:10W/109dB±3dB

Power	15w	25w
Sound level(dB)	115±3	119±3