

CKY MARINE PUBLIC ADDRESS SYSTEM

YKG-1E Explosion Proof Remote Station For Public Address

ISO9001 Supplier

Class Certificate

Export Supply

YKG-1E Explosion Proof Remote Station For Public Address 1) Chapter 2 of Part 4 of the "Steel Ship Classification Rules" of the China Classification Society; 2) Chapter VII of International life-saving appli...

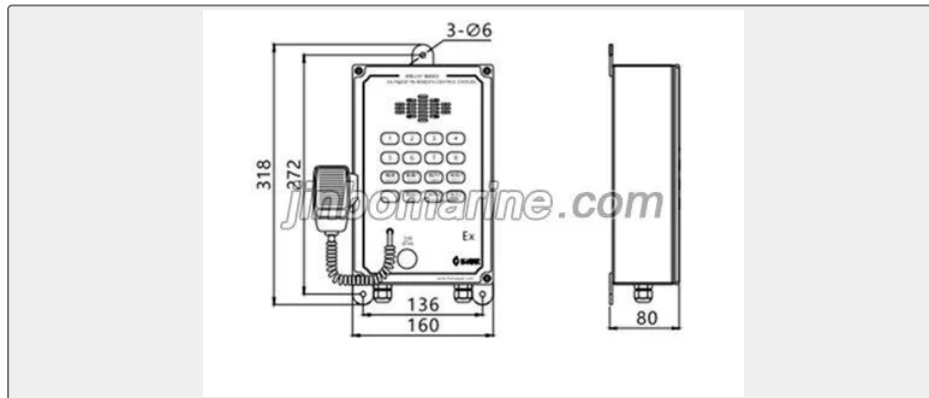
	<h3>Key Highlights</h3>	
	Category	CKY Marine Public Address System
	Standard	GB
	Material	YKG-1E Explosion Proof Remote Station For Public Address 1) Chapter 2 o...
	Weight / Size	YKG-1E Explosion Proof Remote Station For Public Address 1) Chapter 2 o...
Certificate	ABS, LR, BV, DNVGL, NK, KR, IRS, RMRS, CCS	
		<p>We can supply according to your requirement, drawings, class certificate needs, and delivery schedule.</p>

Technical Specifications			
Category	CKY Marine Public Address System	Model / SKU	YKG-1E-Explosion-Proof-Remote-Station-For-Public-Address
Standard	GB	Material	YKG-1E Explosion Proof Remote Station For Public Address 1) Chapter 2 of Part 4 of the "Steel Ship Classification Rules" of the China Classification Society;
Weight / Size	YKG-1E Explosion Proof Remote Station For Public Address 1) Chapter 2 of Part 4 of the "Steel Ship Classification Rules" of the China Classification Society;	Certificate	ABS, LR, BV, DNVGL, NK, KR, IRS, RMRS, CCS
Warranty	12 Months unless specified otherwise	Origin	China

China YKG-1E Explosion Proof Remote Station For Public Address:

YKG-1E Explosion Proof Remote Station For Public Address

- 1) Chapter 2 of Part 4 of the "Steel Ship Classification Rules" of the China Classification Society;
- 2) Chapter VII of International life-saving appliance code, annex, as amended by msc.218(82);
- 3) IMO resolution A. 1021 (26) code on "Alarm and indicators, 2009".



Capacity:4way/7way

Colour:Dull black

Shell material: Q235B/ABS

Cable gland: Stainless steel

Explosive-proof Grade: Ex ib IIC T6 Gb/[Ex ib G6]IIC

AQ-3 IS barrier is Equipped with explosion proof remote station for public address