

Jinbo Marine

Marine & Offshore Equipment Datasheet

PRODUCT DATASHEET

GENERAL EMERGENCY ALARM SYSTEM

YKQ-2 Wall Mounted Remote Control Station

ISO9001 Supplier

Class Certificate

Export Supply

YKQ-2 Wall Mounted Remote Control Station 1)Chapter 2 of Part 4 of the"Steel Ship Classification Rules" of the China Classification Society: 2)Chapter, of MSC.48(66) international life-saving appliance code(...



Key Highlights

Category	General Emergency Alarm System
Standard	EN
Material	YKQ-2 Wall Mounted Remote Control Station 1)Chapter 2 of Part 4 of the"S...
Certificate	ABS, LR, BV, DNVGL, NK, KR, IRS, RMRS, CCS

We can supply according to your requirement, drawings, class certificate needs, and delivery schedule.

Technical Specifications

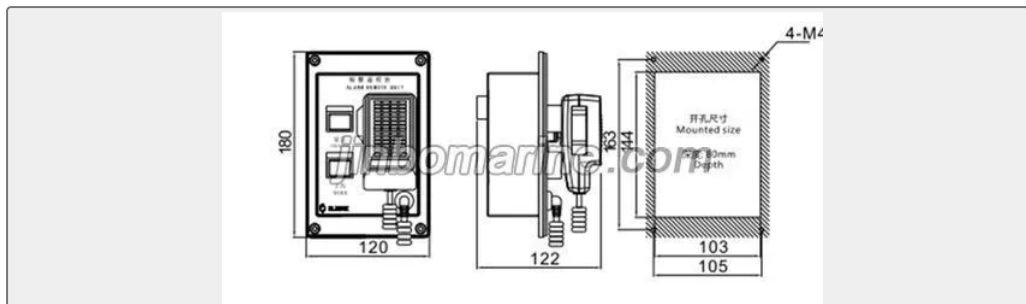
Category	General Emergency Alarm System	Model / SKU	YKQ-2-Wall-Mounted-Remote-Control-Station
Standard	EN	Material	YKQ-2 Wall Mounted Remote Control Station 1)Chapter 2 of Part 4 of the"Steel Ship Classification Rules" of the China Classification Society:
Certificate	ABS, LR, BV, DNVGL, NK, KR, IRS, RMRS, CCS	Warranty	12 Months unless specified otherwise
Origin	China		

China YKQ-2 Wall Mounted Remote Control Station:

YKQ-2 Wall Mounted Remote Control Station



- 1)Chapter 2 of Part 4 of the"Steel Ship Classification Rules" of the China Classification Society:
- 2)Chapter, of MSC.48(66) international life-saving appliance code(LSA),and its amendment MSC.218(82);
- 3)IMO resolution A.1021 (26) code on alerts and indicators,2009.



Colour: Dull black

Shell material: ABS

Cable gland: 2-PG13.5

IP rating: IP44