

Jinbo Marine

Marine & Offshore Equipment Datasheet

PRODUCT DATASHEET

MARINE TOOLS

YLP Series-General Bolt Tensioner

YLP Series-General Bolt Tensioner Model Thread
 Tensile ForceKN Size(mm) Pistion D d H1 H2 H3 The MeasureOf Areacm²; trokemm
 YLP01 M30X3.5 125...

ISO9001 Supplier

Class Certificate

Export Supply



Key Highlights

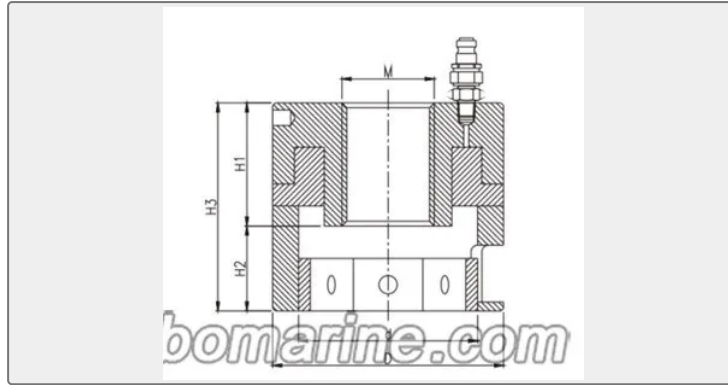
Category	Marine Tools
Standard	EN
Weight / Size	YLP Series-General Bolt Tensioner Model Thread Tensile ForceKN...
Certificate	ABS, LR, BV, DNVGL, NK, KR, IRS, RMRS, CCS

We can supply according to your requirement, drawings, class certificate needs, and delivery schedule.

Technical Specifications			
Category	Marine Tools	Model / SKU	YLP-Series-General-Bolt-Tensioner
Standard	EN	Weight / Size	YLP Series-General Bolt Tensioner Model Thread Tensile ForceKN Size(mm) Pistion D d H1 H2 H3 The MeasureOf Areacm ² trokemm YLP01 M30X3.5 125 70 54 70 26 96 15.7 5 YLPO2 M33X3.5 140 76 60 72 28 103 17.3 5 YLP03 M36X4 150 83 66 74 30 109 18.9 5 YLPO4 M39X4 195 88 72 75 32 112 24.5 5 YLPO5 M42x4.2 210 94 77 76 34 116 26.5 5 YLPO6 M45x4.5 230 100 83 78 38 124 28.5 5 YLP07 M48x5 280 106 89 80 40 129 35.3 5 YLPO8 M52X5 300 112 94 82 45 134 37.6 5 YLPO9 M56X5.5 385 124 100 84 48 145 48 5 YLP10 M60x5.5 480 136 106 86 51 154 59.7 5 YLP11 M64X6 505 142 112 88 53 151 62.9 5 YLP12 M68x6 610 153 118 90 58 162 76 5 YLP13 M72X6 720 165 124 92 62 166 90.3 5 YLP14 M76X6 755 171 130 95 64 174 94.3 5 YLP15 M80X6 880 183 136 105 68 175 110 5 YLP16 M85x6 1020 195 143 110 72 189 127.2 5 YLP17 M90X6 1165 207 146 115 74 198 145.5 5 YLP18 M95X6 1320 218 157 120 80 218 165 5 YLP19 M100X6 1365 224 164 125 84 223 170.5 5 YLP20 M105X6 1580 228 175 135 88 197.3 5 YLP21 M110X6 1760 254 181 145 95 220 5 YLP22 M115X6 1800 260 188 155 98 225 5 YLP23 M120X6 1910 271 194 165 100 238.8 5 YLP24 M125X6 1960 277 198 175 105 245 5 YLP25 M130X6 2165 289 210 185 110 270.4 5
Certificate	ABS, LR, BV, DNVGL, NK, KR, IRS, RMRS, CCS	Warranty	12 Months unless specified otherwise
Origin	China		

China YLP Series-General Bolt Tensioner:

YLP Series-General Bolt Tensioner



Model	Thread	Tensile Force KN	Size(mm)					Piston	
			D	d	H1	H2	H3	The Measure Of Area cm ²	troke mm
YLP01	M30X3.5	125	70	54	70	26	96	15.7	5
YLPO2	M33X3.5	140	76	60	72	28	103	17.3	5
YLP03	M36X4	150	83	66	74	30	109	18.9	5
YLPO4	M39X4	195	88	72	75	32	112	24.5	5
YLPO5	M42×4.2	210	94	77	76	34	116	26.5	5
YLPO6	M45×4.5	230	100	83	78	38	124	28.5	5
YLP07	M48×5	280	106	89	80	40	129	35.3	5
YLPO8	M52X5	300	112	94	82	45	134	37.6	5
YLPO9	M56X5.5	385	124	100	84	48	145	48	5
YLP10	M60×5.5	480	136	106	86	51	154	59.7	5
YLP11	M64X6	505	142	112	88	53	151	62.9	5
YLP12	M68×6	610	153	118	90	58	162	76	5
YLP13	M72X6	720	165	124	92	62	166	90.3	5
YLP14	M76X6	755	171	130	95	64	174	94.3	5
YLP15	M80X6	880	183	136	105	68	175	110	5
YLP16	M85×6	1020	195	143	110	72	189	127.2	5
YLP17	M90X6	1165	207	146	115	74	198	145.5	5
YLP18	M95X6	1320	218	157	120	80	218	165	5
YLP19	M100X6	1365	224	164	125	84	223	170.5	5
YLP20	M105X6	1580	228	175	135	88	197.3	5	

YLP21	M110X6	1760	254	181	145	95	220	5
YLP22	M115X6	1800	260	188	155	98	225	5
YLP23	M120X6	1910	271	194	165	100	238.8	5
YLP24	M125X6	1960	277	198	175	105	245	5
YLP25	M130X6	2165	289	210	185	110	270.4	5