

Jinbo Marine

Marine & Offshore Equipment Datasheet

PRODUCT DATASHEET

HSM WATERITIGHT DOOR INDICATION SYSTEM

YN-3104-FS Waterproof Travel Switch

YN-3104-FS Waterproof Travel Switch 1)Chapter 2 of Part 4 of the "Steel Ship Classification Rules" of the China Classification Society; 2)IMO Resolution A.1021(26) Code on Alerts and Indicators, 2009 C...

ISO9001 Supplier

Class Certificate

Export Supply



Key Highlights

Category	HSM Watertight Door Indication System
Material	YN-3104-FS Waterproof Travel Switch 1)Chapter 2 of Part 4 of the "Steel ...
Certificate	ABS, LR, BV, DNVGL, NK, KR, IRS, RMRS, CCS

We can supply according to your requirement, drawings, class certificate needs, and delivery schedule.

Technical Specifications

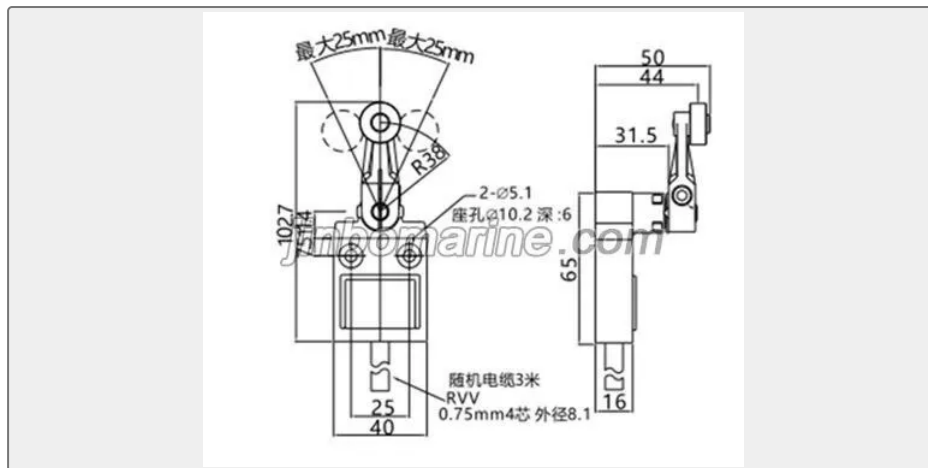
Category	HSM Watertight Door Indication System	Model / SKU	YN-3104-FS-Waterproof-Travel-Switch
Material	YN-3104-FS Waterproof Travel Switch 1)Chapter 2 of Part 4 of the "Steel Ship Classification Rules" of the China Classification Society;	Certificate	ABS, LR, BV, DNVGL, NK, KR, IRS, RMRS, CCS
Warranty	12 Months unless specified otherwise	Origin	China

China YN-3104-FS Waterproof Travel Switch:

YN-3104-FS Waterproof Travel Switch

1)Chapter 2 of Part 4 of the "Steel Ship Classification Rules" of the China Classification Society;
2)IMO Resolution A.1021(26) Code on Alerts and Indicators, 2009





Colour: Blue

Shell material: Aluminum

IP rating: IP68