

Jinbo Marine

Marine & Offshore Equipment Datasheet

PRODUCT DATASHEET

MARINE ELECTRIC MOTOR

YT Series Totally-Enclosed Three-Phase Induction Motor

ISO9001 Supplier

Class Certificate

Export Supply

Introduction YT series are totally-enclosed three phase induction motor of squirrel-cage type, it has the feature of high efficiency, energy saving, big starting torque, good performance and low noise. Operat...



Key Highlights

Category	Marine Electric Motor
Standard	EN
Weight / Size	3kw or less Y, more than 3kW △ Technical Data Type Output kW Current A S...
Certificate	CCS/LR/DNV/KR

We can supply according to your requirement, drawings, class certificate needs, and delivery schedule.

Technical Specifications			
Category	Marine Electric Motor	Model / SKU	YT-Series-Totally-Enclosed-Three-Phase-Induction-Motor
Standard	EN	Weight / Size	<p>3kw or less Y, more than 3kW Δ</p> <p>Technical Data Type Output kW Current A Speed r/min Type Output kW Current A Speed r/min</p> <p>YT80M1-2 0.75 1.8 2825 YT112M- 4 4 8.8 1440 YT80M2-2 1.1 2.5 2825 YT132S-4 5.5 11.6 1440 YT90S-2 1.5 3.4 2840 YT132M-4 7.5 15.4 1440 YT90L-2 2.2 4.7 2840 YT80M1-6 0.37 1.3 890 YT100L-2 3.0 6.4 2880 YT80M2-6 0.55 1.7 890 YT112M-2 4.0 8.2 2890 YT90S-6 0.75 2.3 910 YT132S1-2 5.5 11.1 2900 YT90L-6 1.1 3.2 910 YT132S2-2 7.5 15.0 2900 YT100L-6 1.5 4.0 940 YT80M1-4 0.55 1.5 1390 YT112M- 6 2.2 5.6 940 YT80M2-4 0.75 2.0 1390 YT132S-6 3.0 7.2 960 YT90S-4 1.1 2.7 1400 YT132M1-6 4.0 9.4 960 YT90L-4 1.5 3.7 1400 YT132M2-6 5.5 12.6 960 YT100L1-4 2.2 5.0 1420 YT132S-8 2.2 5.8 710 YT100L2-4 3 6.8 1420 YT132M-8 3.0 7.7 710 Mounting and Overall Dimension Frame size mounting and overall dimension A B D E F G H L1 M Deep h M1 Deep t L HD 80 61 83 19 40 6 15.5 86 48 M8 Deep 15 M6 Deep 15 250 200 90S 60 86 24 50 8 20 100 55 M12 Deep 18 M8 Deep 15 270 230 90L 115 295 100L 73 130 28 60 8 24 105 80 M12 Deep 15 M10 Deep 15 330 250 112M 80 130 115 85 M12 Deep 15 M10 Deep 20 340 275 132S 100 130 38 80 10 33 135 105 M14 Deep 18 M12 Deep 20 400 315 132M 168 440</p>
Certificate	CCS/LR/DNV/KR	Warranty	12 Months unless specified otherwise
Origin	China		

CONTENTS

- Introduction
- Type
- Current A
- Type
- Technical Data
- Output kW
- Speed r/min
- Output kW

Introduction

YT series are totally-enclosed three phase induction motor of squirrel-cage type, it has the feature of high efficiency, energy saving, big starting torque, good performance and low noise.

Operation condition

Ambient temperature: -15°C ~ 45°C ;

Altitude: less than 1000m;

Rated frequency:50Hz;

Rated voltage: 380V

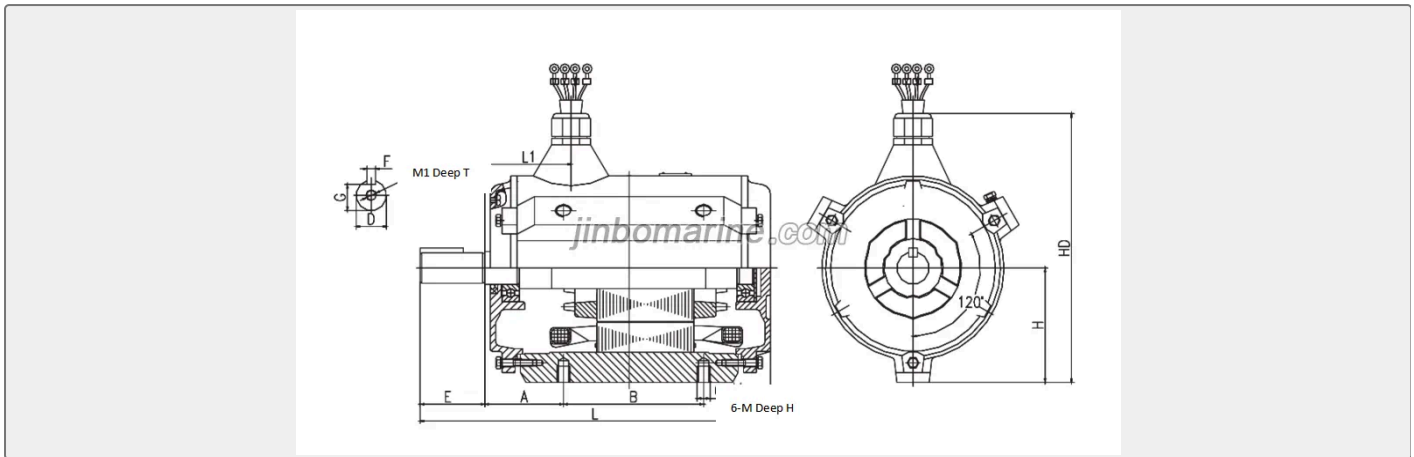
Connection: 3kw or less Y, more than 3kW Δ

Technical Data

Type	Output kW	Current A	Speed r/min	Type	Output kW	Current A	Speed r/min
YT80M1-2	0.75	1.8	2825	YT112M-4	4	8.8	1440
YT80M2-2	1.1	2.5	2825	YT132S-4	5.5	11.6	1440
YT90S-2	1.5	3.4	2840	YT132M-4	7.5	15.4	1440
YT90L-2	2.2	4.7	2840	YT80M1-6	0.37	1.3	890
YT100L-2	3.0	6.4	2880	YT80M2-6	0.55	1.7	890
YT112M-2	4.0	8.2	2890	YT90S-6	0.75	2.3	910
YT132S1-2	5.5	11.1	2900	YT90L-6	1.1	3.2	910
YT132S2-2	7.5	15.0	2900	YT100L-6	1.5	4.0	940
YT80M1-4	0.55	1.5	1390	YT112M-6	2.2	5.6	940
YT80M2-4	0.75	2.0	1390	YT132S-6	3.0	7.2	960
YT90S-4	1.1	2.7	1400	YT132M1-6	4.0	9.4	960
YT90L-4	1.5	3.7	1400	YT132M2-6	5.5	12.6	960
YT100L1-4	2.2	5.0	1420	YT132S-8	2.2	5.8	710
YT100L2-4	3	6.8	1420	YT132M-8	3.0	7.7	710



Mounting and Overall Dimension



Frame size	Mounting and overall dimension											
	A	B	D	E	F	G	H	L ₁	M Deep h	M1 Deep t	L	H _D
80	61	83	19	40	6	15.5	86	48	M8 Deep 15	M6 Deep 15	250	200
90S	60	86	24	50	8	20	100	55	M12 Deep 18	M8 Deep 15	270	230
90L		115									295	
100L	73	130	28	60	8	24	105	80	M12 Deep 15	M10 Deep 15	330	250
112M	80	130									340	
132S	100	130	38	80	10	33	135	105	M14 Deep 18	M12 Deep 20	400	315
132M		168									440	