

MARINE ELECTRIC MOTOR

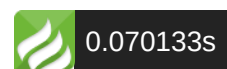
YT2-H Series Three Phase Marine Induction Motor For Ventilator

- ISO9001 Supplier
- Class Certificate
- Export Supply

Introduction YT2-H series three phase marine induction for ventilator is designed for ventilator on board ship. Performance of the motors is as same as Y-H series motors except mounting and overall dimension. ...

	<div style="background-color: #1a3d4d; color: white; padding: 5px;">Key Highlights</div> <table border="1" style="width: 100%; border-collapse: collapse;"> <tr> <td style="width: 20%;">Category</td> <td>Marine Electric Motor</td> </tr> <tr> <td>Standard</td> <td>EN</td> </tr> <tr> <td>Weight / Size</td> <td>Introduction YT2-H series three phase marine induction for ventilator is...</td> </tr> <tr> <td>Certificate</td> <td>CCS/LR/DNV/KR</td> </tr> </table> <p style="font-size: small; margin-top: 10px;">We can supply according to your requirement, drawings, class certificate needs, and delivery schedule.</p>	Category	Marine Electric Motor	Standard	EN	Weight / Size	Introduction YT2-H series three phase marine induction for ventilator is...	Certificate	CCS/LR/DNV/KR
Category	Marine Electric Motor								
Standard	EN								
Weight / Size	Introduction YT2-H series three phase marine induction for ventilator is...								
Certificate	CCS/LR/DNV/KR								

Technical Specifications			
Category	Marine Electric Motor	Model / SKU	YT2-H-Series-Three-Phase-Marine-Induction-Motor-For-Ventilator
Standard	EN	Weight / Size	Introduction YT2-H series three phase marine induction for ventilator is designed for ventilator on board ship. Performance of the motors is as same as Y-H series motors except mounting and overall dimension.
Certificate	CCS/LR/DNV/KR	Warranty	12 Months unless specified otherwise
Origin	China		



CONTENTS

- Introduction
- Type
- Current /A
- Type
- Technical Data
- Output /kW
- Speed r/min
- Output /kW

Introduction

YT2-H series three phase marine induction for ventilator is designed for ventilator on board ship. Performance of the motors is as same as Y-H series motors except mounting and overall dimension.

Operating Conditions

Ambient Temperature: 0°C ~ +45°C ;

Altitude: 0m ;

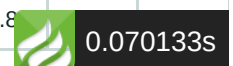
Rated Frequency: 50Hz or 60Hz ;

Rated Voltage: 380V or 440V ;

Connection: 3kW or less Y, more than 3kW Δ

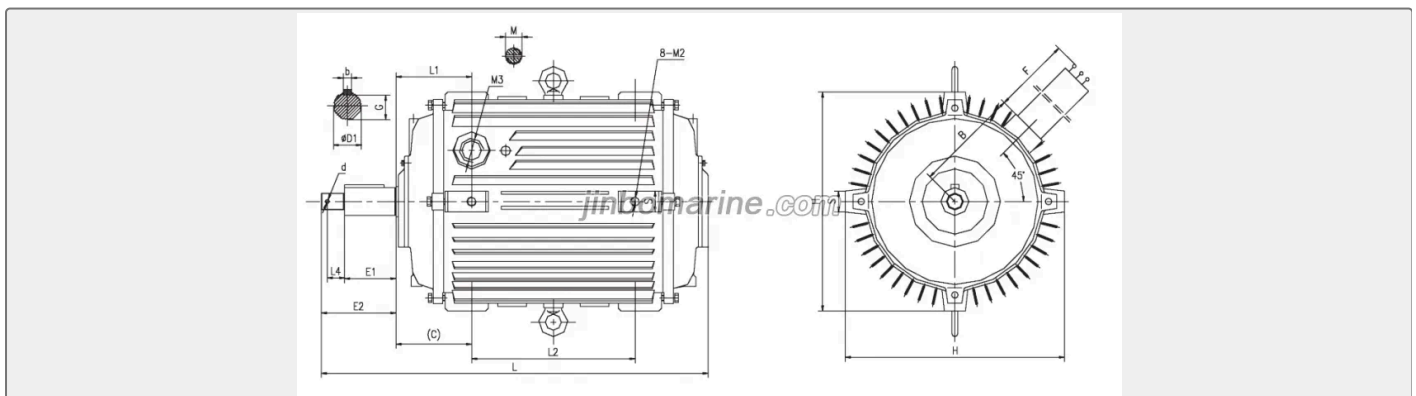
Technical Data

Type	Output /kW	Current /A		Speed r/min		Type	Output /kW	Current /A		Speed r/min	
		380V 50Hz	440V 60Hz	380 V 50H Z	440V 60Hz			380V 50Hz	440V 60Hz	380V 50Hz	440V 60Hz
YT2-80M1-2-H	0.75	1.8	1.6	2820	3460	YT2-225M-4-H	45	84.0	73.4	1480	1780
YT2-80M2-2-H	1.1	2.6	2.2	2820	3460	YT2-250M-4-H	55	102.7	88.7	1480	1780
YT2-90S-2-H	1.5	3.5	3.1	2840	3470	YT2-280S-4-H	75	139.2	120.9	1480	1790
YT2-90L-2-H	2.2	4.9	4.3	2840	3470	YT2-280M-4-H	90	164.3	141.9	1480	1790
YT2-100L-2-H	3	6.2	5.4	2890	3470	YT2-90S-6-H	0.75	2.2	2.0	910	1130
YT2-112M-2-H	4	8.2	7.2	2890	3500	YT2-90L-6-H	1.1	3.2	2.9	910	1130
YT2-132S1-2-H	5.5	11.0	9.6	2900	3520	YT2-100L-6-H	1.5	4.0	3.5	950	1140
YT2-132S2-2-H	7.5	14.6	12.9	2900	3520	YT2-112M-6-H	2.2	5.8	5.2	940	1150
YT2-160M1-2-H	11	21.6	18.8	2930	3520	YT2-132S-6-H	3	7.2	6.4	960	1170
YT2-160M2-2-H	15	28.9	24.9	2930	3520	YT2-132M1-6-H	4	9.5	8.2	960	1170
YT2-160L-2-H	18.5	35.7	30.3	2930	3520	YT2-132M2-6-H	5.5	12.5	10.7	960	1170
YT2-180M-2-H	22	41.4	36.9	2940	3530	YT2-160M-6-H	7.5	17.1	14.8	970	1160
YT2-200L2-2-H	30	57.9	50.3	2960	3560	YT2-160L-6-H	11	25.0	21.8		



YT2-200L2-2-H	37	69.4	60.3	2960	3570	YT2-180L-6-H	15	33.0	29.3	970	1160
YT2-225M-2-H	45	85.9	76.3	2970	3580	YT2-200L1-6-H	18.5	37.6	32.7	980	1180
YT2-250M-2-H	55	103.2	91.7	2970	3580	YT2-200L2-6-H	22	44.7	38.9	980	1180
YT2-280S-2-H	75	139.2	120.9	2970	3580	YT2-225M-6-H	30	61.1	53.1	990	1190
YT2-280M-2-H	90	167.1	143.5	2970	3580	YT2-250M-6-H	37	71.0	61.3	980	1180
YT2-80MI-4-H	0.55	1.5	1.4	1390	1710	YT2-280S-6-H	45	86.4	75.5	980	1190
YT2-80M2-4-H	0.75	2.1	1.8	1390	1710	YT2-280M-6-H	55	103.2	89.7	980	1190
YT2-90S-4-H	1.1	2.7	2.4	1400	1710	YT2-132S-8-H	2.2	5.8	5.2	710	860
YT2-90L-4-H	1.5	3.6	3.2	1400	1710	YT2-132M-8-H	3	7.6	6.8	710	860
YT2-100L1-4-H	2.2	5.1	4.5	1450	1740	YT2-160Mr8-H	4	10.5	9.1	720	860
YT2-100L2-4-H	3	6.8	5.9	1450	1740	YT2-160M2-8-H	5.5	13.4	11.5	720	860
YT2-112M-4-H	4	8.9	7.7	1440	1750	YT2-160L-8-H	7.5	17.7	15.5	720	860
YT2-132S-4-H	5.5	11.7	10.0	1440	1750	YT2-180L-8-H	11	25.6	22.2	730	876
YT2-132M-4-H	7.5	15.4	13.2	1440	1750	YT2-200L-8-H	15	33.3	29.2	730	880
YT2-160M-4-H	11	22.8	19.5	1460	1750	YT2-225S-8-H	18.5	40.3	35.6	740	890
YT2-160L-4-H	15	30.5	26.3	1460	1750	YT2-225M-8-H	22	47.4	41.7	740	890
YT2-180M-4-H	18.5	35.9	30.9	1470	1760	YT2-250M-8-H	30	64.7	57.1	730	890
YT2-180L-4-H	22	42.2	36.9	1470	1760	YT2-280S-8-H	37	79.8	68.9	740	890
YT2-200L-4-H	30	57.3	49.8	1480	1780	YT2280M-8-H	45	94.8	80.8	740	890
YT2-225S-4-H	37	70.2	60.3	1480	1780						

Mounting and Overall Dimensions



Frame size	Mounting and Overall Dimension																	
	DI	b	G	EI	E2	L	LI	C	L2	F	L4	B	M	H	d	M3	8-M2	S
80	19	6	15.5	40	62	270	50	50	100	240	16	82	M12	175	3.2	G3/4	M8 Depth 20	24
90S	24	8	20	50	78	295	56	56			20	90	M16	190	4.2		M10 Depth 20	28
90L						330			135	300							M12 Depth 20	
100L	28		24	60	92	365	55.5	55.5	155	340	24	102	M20	215				32
112M						375	60	60	160	330		122		255				34
132S	38	10	33	80	119	450	68	68	182	400	31	140	M30	290	6.2	G1	M16 Depth 20	45
132M						490			220	450							M16 Depth 24	
160M	42	12	37	110	150	575	108	108	210	475		164		340			M16 Depth 24	
160L						620			254	630								
180M	48	14	42.5			660	121	121	270	650		180		380			M16 Depth 20	
180L						700			310									
200L	55	16	49		160	780	133	133	340		36	200	M36	420		G11/4		40
225S	60	18	53			850	162	162	350	800		225		470			M20 Depth 20	45
225M																		
250M	65		58	140	140	865	180	172.5	340		—	239	M42	476	—	G21/4	M16 Depth 24	50
280S	75	20	67.5			930	173	162	424		—	267	M52	540	—		M16 Depth 26	46
280M						980			475		—				—			