

## MARINE AIR CONDITIONER

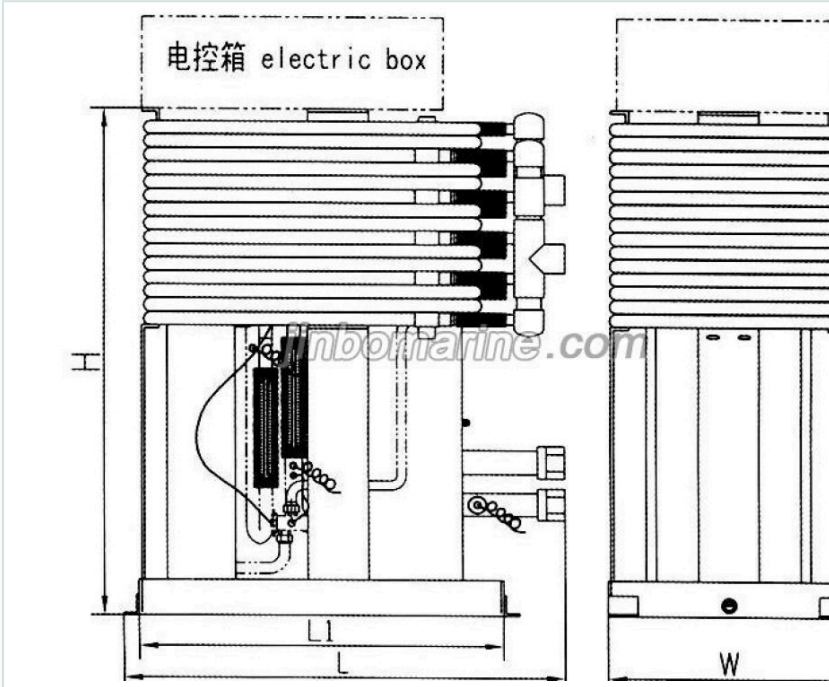
## YTLS Navy Water Chiller Module

Description: YTLS navy water chiller module design make the installation convenient and flexible, developing the max efficiency, improving the reliability and accessible for maintenance, single water chil...

ISO9001 Supplier

Class Certificate

Export Supply

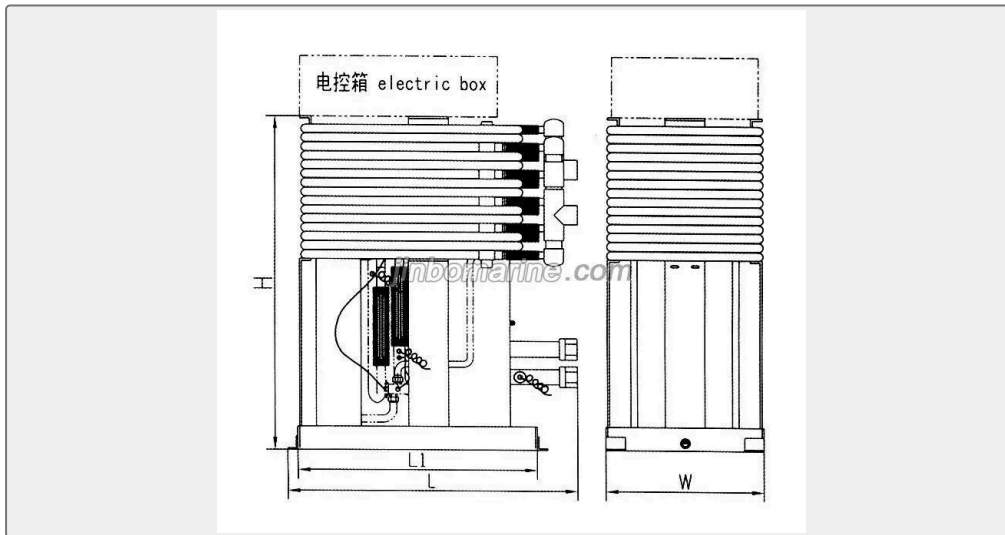


Key Highlights	
Category	Marine Air Conditioner
Standard	EN
Material	Each water chiller module includes hermetic scroll compressor, 4-way rev...
Weight / Size	°C Cooling ≤ 32°C, heating ≥ 8°C Dimension L mm 1000 1000 900 900 1000 1000 W m...
Certificate	ABS, LR, BV, DNVGL, NK, KR, IRS, RMRS, CCS
We can supply according to your requirement, drawings, class certificate needs, and delivery schedule.	

Technical Specifications			
<b>Category</b>	Marine Air Conditioner	<b>Model / SKU</b>	YTLS-navy-water-chiller-module
<b>Standard</b>	EN	<b>Material</b>	Each water chiller module includes hermetic scroll compressor, 4-way reverse valve , double way expansion valve, high efficient coaxial condenser, stainless steel plate type heat exchanger, high& low pressure switch, water flow controller and water pan etc.
<b>Weight / Size</b>	°C Cooling≤32°C, heating≥8°C Dimension L mm 1000 1000 900 900 1000 1000 W mm 900 900 1020 1020 1400 1400 H mm 900 940 600 640 900 940 Weight kg 385 470 320 340 585 710	<b>Certificate</b>	ABS, LR, BV, DNVGL, NK, KR, IRS, RMRS, CCS
<b>Warranty</b>	12 Months unless specified otherwise	<b>Origin</b>	China

<b>CONTENTS</b>	<input type="checkbox"/> Description: <input checked="" type="checkbox"/> Technical Data:
-----------------	---

## Description:



YTLS navy water chiller module design make the installation convenient and flexible, developing the max efficiency, improving the reliability and accessible for maintenance, single water chiller module may be combined together to provide a large system, which is easy to modify the type of for special service. Refrigerant circuit of single water chiller module is totally enclosed and filled with R22 at factory and need no charge on site. Chilled/heated water piping and cooling sea water piping can be collected individually, improving the connection speed and is convenient for customer installation.

Each water chiller module includes hermetic scroll compressor, 4-way reverse valve , double way expansion valve, high efficient coaxial condenser, stainless steel plate type heat exchanger, high& low pressure switch, water flow controller and water pan etc. Each assembly is assembled together compactly and make volume small.

## Technical Data:

Type		YTLS-240(II)	YTLS-288(II)	YTLS-144(II)	YTLS-180(II)	YTLS-360(II)	YTLS-432(II)
Cooling capacity	Kw	70	84	42	52.5	105	126
	Btu/hr	24000	288000	144000	180000	360000	432000
Heating capacity	Kw	77.2	92.4	46.4	57.9	115.8	138.6
	Btu/hr	260000	316000	156000	198000	390000	474000
Refrigerant	R22(R134a,R404A.R407C)						
Power supply	AC380V 50Hz 3p/AC440V 60HZ 3p						
Total Power KW		14.6/20.6	19/26.6	9.0/12.6	11.1/16.2	21.9/30.9	28.5/39.9
Current A		28.9/41	39.2/54	19/26	23.2/32.8	43.8/59	43.8/59
Chilled/heated water flow m3/h		12	14.8	7.2	9	18	22
Chilled/heated water Temp. °C	Cooling 12/7°C, heating40/45°C						
Cooling sea water flow m3/h		18	22	10.75	13.5	27	33
Cooling sea water inlet temp. °C	Cooling≤32°C, heating≥8°C						
Dimension	L mm	1000	1000	900	900	1000	1000
	W mm	900	900	1020	1020	1400	1400
	H mm	900	940	600	640	900	940
Weight kg		385	470	320	340	585	710