

Jinbo Marine

Marine & Offshore Equipment Datasheet

PRODUCT DATASHEET

CKY MARINE PUBLIC ADDRESS SYSTEM

YXT-1 Mannual Rotary Platform

YXT-1 Mannual Rotary Platform 1) Chapter 2 of Part 4 of the "Steel Ship Classification Rules" of the China Classification Society; 2) Chapter VII of International life-saving appliance code, annex, as amended by m...

ISO9001 Supplier

Class Certificate

Export Supply



Key Highlights

Category	CKY Marine Public Address System
Standard	EN
Material	YXT-1 Mannual Rotary Platform 1) Chapter 2 of Part 4 of the "Steel Ship ...
Certificate	ABS, LR, BV, DNVGL, NK, KR, IRS, RMRS, CCS

We can supply according to your requirement, drawings, class certificate needs, and delivery schedule.

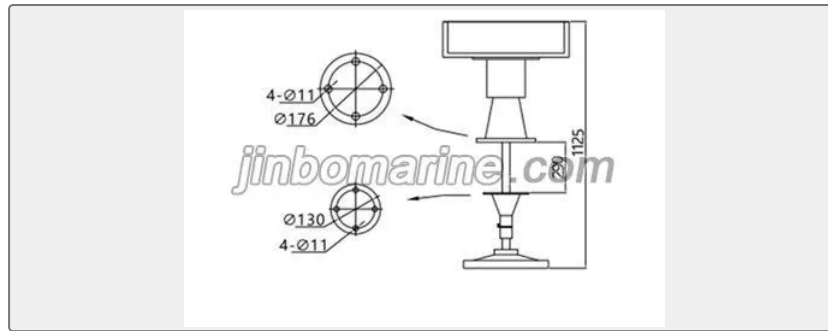
Technical Specifications

Category	CKY Marine Public Address System	Model / SKU	YXT-1-Mannual-Rotary-Platform
Standard	EN	Material	YXT-1 Mannual Rotary Platform 1) Chapter 2 of Part 4 of the "Steel Ship Classification Rules" of the China Classification Society;
Certificate	ABS, LR, BV, DNVGL, NK, KR, IRS, RMRS, CCS	Warranty	12 Months unless specified otherwise
Origin	China		

China YXT-1 Mannual Rotary Platform:

YXT-1 Mannual Rotary Platform

- 1) Chapter 2 of Part 4 of the "Steel Ship Classification Rules" of the China Classification Society;
- 2) Chapter VII of International life-saving appliance code, annex, as amended by msc.218(82);
- 3) IMO resolution A. 1021 (26) code on "Alarm and indicators, 2009".



Colour: White RAL7035

Shell material: Q235B

Rotation degree:350°

IP Rating: IP56