

Jinbo Marine

Marine & Offshore Equipment Datasheet

PRODUCT DATASHEET

FILTER

YZL-150 Completely Automatic Lubricating Oil Filter

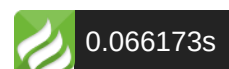
- ISO9001 Supplier
- Class Certificate
- Export Supply

YZL-150 Completely Automatic Lubricating Oil Filter Structure Diagram YZL-150 Completely Automatic Lubricating Oil Filter Technical Parameters Model Flow(referen...



| Key Highlights | |
|----------------|---|
| Category | Filter |
| Standard | EN |
| Weight / Size | YZL-150 Completely Automatic Lubricating Oil Filter Structure Diagram YZ... |
| Certificate | ABS, LR, BV, DNVGL, NK, KR, IRS, RMRS, CCS |

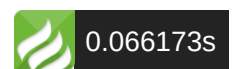
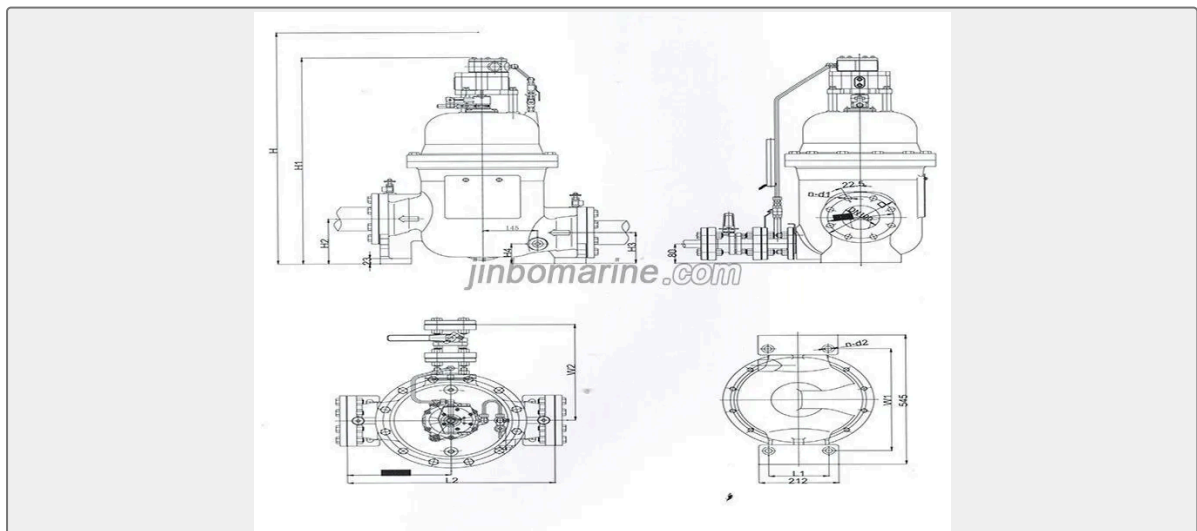
We can supply according to your requirement, drawings, class certificate needs, and delivery schedule.



| Technical Specifications | | | |
|--------------------------|--|----------------------|---|
| Category | Filter | Model / SKU | YZL-150-Completely-Automatic-Lubricating-Oil-Filter |
| Standard | EN | Weight / Size | YZL-150 Completely Automatic Lubricating Oil Filter Structure Diagram YZL-150 Completely Automatic Lubricating Oil Filter Technical Parameters Model Flow(referencem ³ /h) Caliber and jointing size(mm) Overall size(mm) Installing size(mm) Weight(kg) DN D D1 L1 W1 N-D1 N-D2 H H1 H2 H3 H4 L2 W2 YZL-200 180 200 340 295 327 8-18 4-18 1800 1388 518 318 225 750 675 YZL-150 77 150 280 240 φ500 8-23 4-23 1500 1270 460 270 205 560 338 370 YZL-100 62 100 212 175 160 430 8-19 4-19 1200 870 190 130 83 550 405 190 YZL-65 45 65 185 145 φ368 4-18 4-18 1200 1014 300 182 43 434 456 200 |
| Certificate | ABS, LR, BV, DNVGL, NK, KR, IRS, RMRS, CCS | Warranty | 12 Months unless specified otherwise |
| Origin | China | | |

| | |
|-----------------|---|
| CONTENTS | <ul style="list-style-type: none"> YZL-150 Completely Automatic Lubricating Oil Filter Structure Diagram YZL-150 Completely Automatic Lubricating Oil Filter Technical Parameters |
|-----------------|---|

YZL-150 Completely Automatic Lubricating Oil Filter Structure Diagram



YZL-150 Completely Automatic Lubricating Oil Filter Technical Parameters

| Model | Flow(refer encem ³ /h) | Caliber and jointing size(mm) | | | | | | Overall size(mm) | | | | Installing size(mm) | | | Weigh t(kg) |
|---------|-----------------------------------|-------------------------------|-----|-----|------------|------|------|------------------|----------|-----|-----|---------------------|---------|-----|--------------|
| | | DN | D | D1 | L1 W1 | N-D1 | N-D2 | H | H1 | H2 | H3 | H4 | L2 | W2 | |
| YZL-200 | 180 | 200 | 340 | 295 | 327 | 8-18 | 4-18 | 180 0 | 138 8 | 518 | 318 | 225 | 75 0 | 675 | |
| YZL-150 | 77 | 150 | 280 | 240 | φ500 | 8-23 | 4-23 | 150 0 | 127 0 | 460 | 270 | 205 | 56 0 | 338 | 370 |
| YZL-100 | 62 | 100 | 212 | 175 | 160 430 | 8-19 | 4-19 | 120 0 | 870 | 190 | 130 | 83 | 55 0 | 405 | 190 |
| YZL-65 | 45 | 65 | 185 | 145 | φ368 | 4-18 | 4-18 | 120 0 | 101 4 | 300 | 182 | 43 | 43 4 | 456 | 200 |