

Jinbo Marine

Marine & Offshore Equipment Datasheet

PRODUCT DATASHEET

FILTER

YZL100 Completely Automatic Lubricating Oil Filter

ISO9001 Supplier

Class Certificate

Export Supply

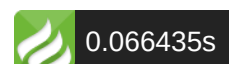
YZL100 Completely Automatic Lubricating Oil Filter Structure Diagram YZL100 Completely Automatic Lubricating Oil Filter Technical Parameters Model Flow(referenc...



Key Highlights

Category	Filter
Standard	EN
Weight / Size	YZL100 Completely Automatic Lubricating Oil Filter Structure Diagram YZL...
Certificate	ABS, LR, BV, DNVGL, NK, KR, IRS, RMRS, CCS

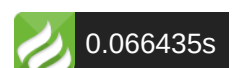
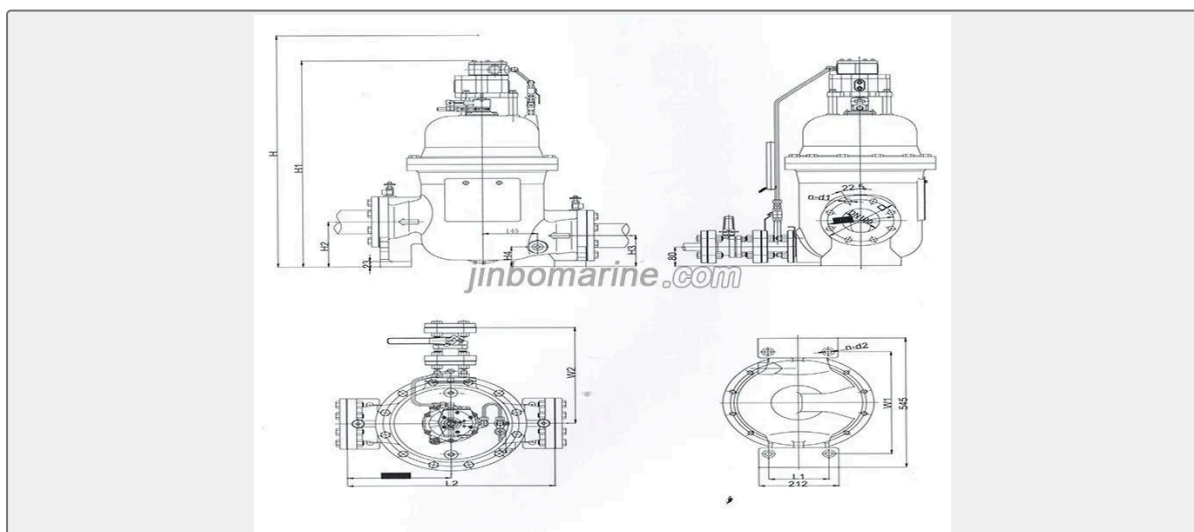
We can supply according to your requirement, drawings, class certificate needs, and delivery schedule.



Technical Specifications			
Category	Filter	Model / SKU	YZL100-completely-automatic-lubricating-oil-filter
Standard	EN	Weight / Size	YZL100 Completely Automatic Lubricating Oil Filter Structure Diagram YZL100 Completely Automatic Lubricating Oil Filter Technical Parameters Model Flow(referencem ³ /h) Caliber and jointing size(mm) Overall size(mm) Installing size(mm) Weight(kg) DN D D1 L1 W1 N-D1 N-D2 H H1 H2 H3 H4 L2 W2 YZL-200 180 200 340 295 327 8-18 4-18 1800 1388 518 318 225 750 675 YZL-150 77 150 280 240 φ500 8-23 4-23 1500 1270 460 270 205 560 338 370 YZL-100 62 100 212 175 160 430 8-19 4-19 1200 870 190 130 83 550 405 190 YZL-65 45 65 185 145 φ368 4-18 4-18 1200 1014 300 182 43 434 456 200
Certificate	ABS, LR, BV, DNVGL, NK, KR, IRS, RMRS, CCS	Warranty	12 Months unless specified otherwise
Origin	China		

CONTENTS	<ul style="list-style-type: none"> YZL100 Completely Automatic Lubricating Oil Filter Structure Diagram YZL100 Completely Automatic Lubricating Oil Filter Technical Parameters
-----------------	---

YZL100 Completely Automatic Lubricating Oil Filter Structure Diagram



YZL100 Completely Automatic Lubricating Oil Filter Technical Parameters

Model	Flow(refer encem ³ /h)	Caliber and jointing size(mm)						Overall size(mm)				Installing size(mm)			Weight(kg)
		DN	D	D1	L1 W1	N-D1	N-D2	H	H1	H2	H3	H4	L2	W2	
YZL-200	180	200	340	295	327	8-18	4-18	180 0	138 8	518	318	225	75 0	675	
YZL-150	77	150	280	240	φ500	8-23	4-23	150 0	127 0	460	270	205	56 0	338	370
YZL-100	62	100	212	175	160 430	8-19	4-19	120 0	870	190	130	83	55 0	405	190
YZL-65	45	65	185	145	φ368	4-18	4-18	120 0	101 4	300	182	43	43 4	456	200