

FILTER

YZL205 Completely Automatic Lubricating Oil Filter

ISO9001 Supplier

Class Certificate

Export Supply

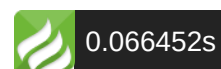
YZL205 Completely Automatic Lubricating Oil Filter Features and use full-auto lube-oil filter works intermittently by hydraulic and backwashes by internal differential pressure without stopping. 1. full-auto lube-oil...



Key Highlights

Category	Filter
Standard	EN
Material	The filter element (precision 30um-50um) made by stainless-steel wire, can...
Weight / Size	YZL205 Completely Automatic Lubricating Oil Filter Structure Diagram YZL...
Certificate	ABS, LR, BV, DNVGL, NK, KR, IRS, RMRS, CCS

We can supply according to your requirement, drawings, class certificate needs, and delivery schedule.



Technical Specifications			
Category	Filter	Model / SKU	YZL205-Completely-Automatic-Lubricating-Oil-Filter
Standard	EN	Material	The filter element(precision 30um-50um) made by stainless-steel wire,can filter sludge and impurity, and is also sturdy abd anti-corro-sive.
Weight / Size	YZL205 Completely Automatic Lubricating Oil Filter Structure Diagram YZL205 Completely Automatic Lubricating Oil Filter Technical Parameters Model Flow(referencem ³ /h) Caliber and jointing size(mm) Overall size(mm) Weight(kg) DN D D1 L1 W1 N-D1 N-D2 H H1 H2 H3 H4 L2 W2 YZL-205 (Vertical) 120 100 220 180 400*400 8-18 4-18 2000 1300 580 355 36 767 YZL-205 (Horizontal) 120 100 145 309*444 309*564 8-M12 4-M16 2000 1230 543 358 173 615 482	Certificate	ABS, LR, BV, DNVGL, NK, KR, IRS, RMRS, CCS
Warranty	12 Months unless specified otherwise	Origin	China

CONTENTS
<ul style="list-style-type: none"> ■ YZL205 Completely Automatic Lubricating Oil Filter ■ YZL205 Completely Automatic Lubricating Oil Filter Structure Diagram ■ YZL205 Completely Automatic Lubricating Oil Filter Technical Parameters

YZL205 Completely Automatic Lubricating Oil Filter

Features and use

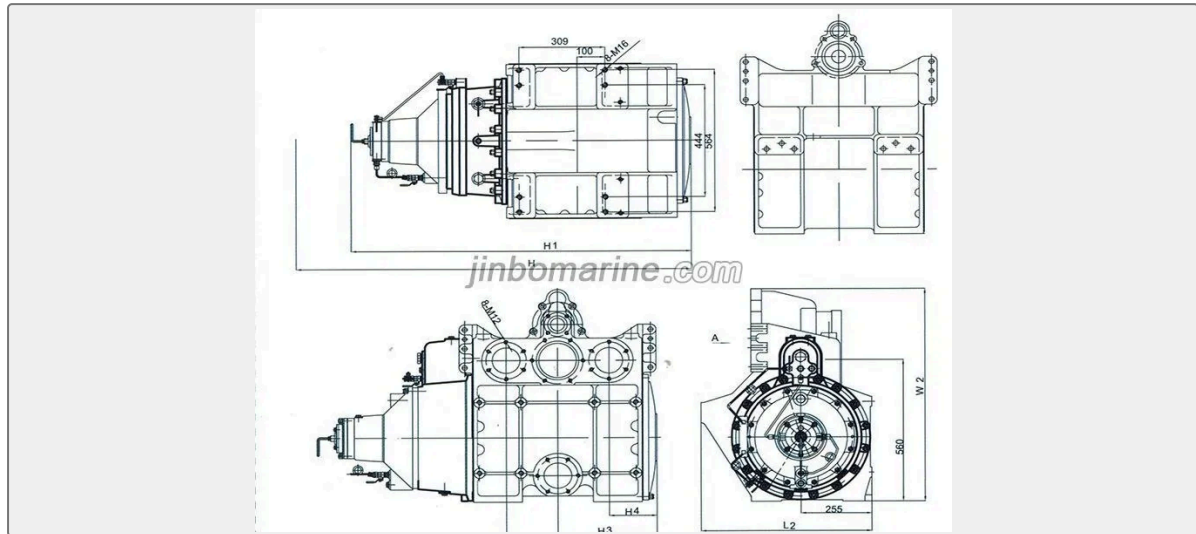
full-auto lube-oil filter works intermitently by hydraulic and backwashes by internal differential pressure without stopping.

1. full-auto lube-oil filter is made of hydraulic motor, unit, body, end cover and filter element.
2. full-auto lube-oil filter with high automatable, high filter precision and convenient installation can automatically self-clean without stopping and it is no necessary to operate by electric, compressed air and human force.
3. Full-auto lube-oil filter runs long and duration.
4. Becase of continually backwashing, pressure drop is stable.
5. The filter element(precision 30um-50um) made by stainless-steel wire,can filter sludge and impurity, and is also sturdy abd anti-corro-sive. the net-plate filter element has compac construction and high filter efficient, and the filter precision is 50um-50um.



6. Full-auto lube-oil filter is purified without pollution and waste, the products are widely used in oil pipeline of diesel engine of ships, hydraulic system in iron and steel industry and machinery industry, oil pipe of marine machinery metallurgy, petrochemical and heavy machinery, it is and ideal equipment for purifying.

YZL205 Completely Automatic Lubricating Oil Filter Structure Diagram



YZL205 Completely Automatic Lubricating Oil Filter Technical Parameters

Model	Flow(reference m ³ /h)	Caliber and jointing size(mm)						Overall size(mm)							Weight(kg)
		DN	D	D1	L1 W1	N-D1	N-D2	H	H1	H2	H3	H4	L2	W2	
YZL-205 (Vertical)	120	100	220	180	400*400	8-18	4-18	2000	1300	580	35	36	77		
YZL-205 (Horizontal)	120	100	145	309*44 309*564	8-M12	4-M16	2000	1230	543	358	17	61	48		