

FILTER

YZL50C Completely Automatic Lubricating Oil Filter

ISO9001 Supplier

Class Certificate

Export Supply

YZL50C Completely Automatic Lubricating Oil Filter Features: Fully automatic strainer: it's applicable for filtering lubricant,fuel oil and heavy oil,with an operation temperature designed as $T \leq 85^{\circ}\text{C}$. Range of fil...



Key Highlights

Category	Filter
Standard	EN
Certificate	ABS, LR, BV, DNVGL, NK, KR, IRS, RMRS, CCS

We can supply according to your requirement, drawings, class certificate needs, and delivery schedule.

Technical Specifications

Category	Filter	Model / SKU	YZL50C-Completely-Automatic-Lubricating-Oil-Filter
Standard	EN	Certificate	ABS, LR, BV, DNVGL, NK, KR, IRS, RMRS, CCS
Warranty	12 Months unless specified otherwise	Origin	China

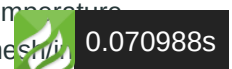
CONTENTS

- YZL50C Completely Automatic Lubricating Oil Filter
- YZL50C Completely Automatic Lubricating Oil Filter Structure Diagram
- YZL50C Completely Automatic Lubricating Oil Filter Technical Parameters:

YZL50C Completely Automatic Lubricating Oil Filter

Features:

Fully automatic strainer: it's applicable for filtering lubricant,fuel oil and heavy oil,with an operation temperature designed as $T \leq 85^{\circ}\text{C}$. Range of filtering precision available for option is designed between 40-400 mesh.

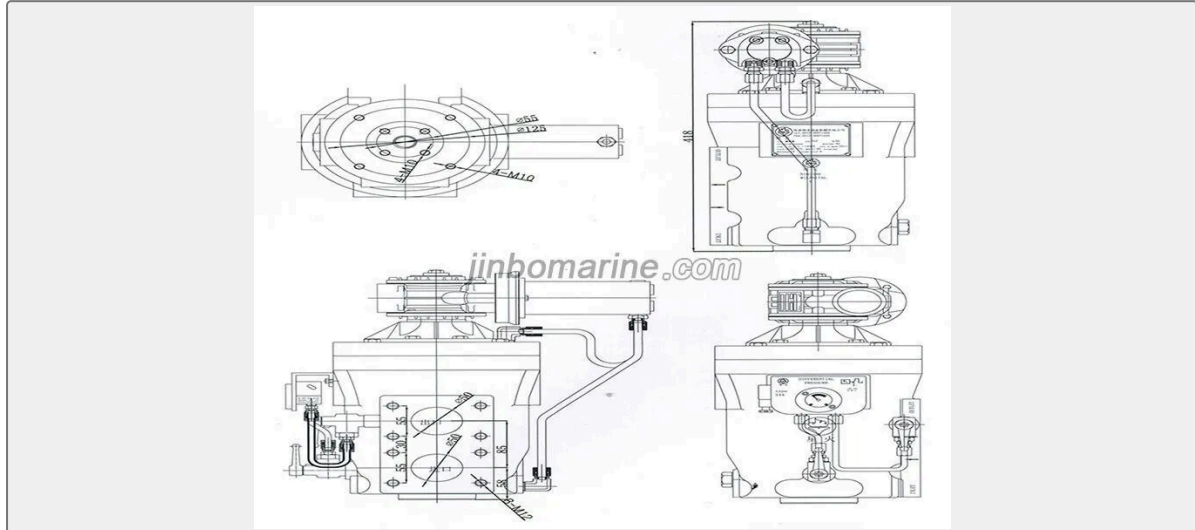


40-80M3/H.

Characteristics:

- 1.It is driven by hydraulic motor and wash continuously using self filtered oil medium.
- 2.The installing and operating is very convenient, safe and liable. it's driving does not need power or compressed air.
- 3.Continuous auto backwashing to ensure higher filter precision.

YZL50C Completely Automatic Lubricating Oil Filter Structure Diagram



YZL50C Completely Automatic Lubricating Oil Filter Technical Parameters:

Model	Rated flow	Work pressure	Work temperature	Filter precision
YZL50C	4m ³ /h	≤1MPa	≤90°C	30um