

# Jinbo Marine

Marine &amp; Offshore Equipment Datasheet

PRODUCT DATASHEET

## YACHT WINDLASS &amp; WINCH

## Yatch Vertical Windlass With Mooring Drum

ISO9001 Supplier

Class Certificate

Export Supply

Features 1.&nbsp;Vertical design suits powerboats or silboats and can be utilized for anchor ropes,as dockingcapstans on larger craft, or auxiliary line hauling. 2.High-quality polished 316 st...



### Key Highlights

|               |  |
|---------------|--|
| Category      | Yacht Windlass & Winch   |
| Standard      | DIN  |
| Material      | Stainless steel 304,316, 316L  |
| Weight / Size | Installation Positions Main<br>Parameter Model Net Weight<br>Power Supply... |
| Certificate   | ABS, LR, BV, DNVGL, NK, KR,<br>IRS, RMRS, CCS                                |

We can supply according to your requirement, drawings, class certificate needs, and delivery schedule.

### Technical Specifications

|               |   |             |  |
|---------------|---|-------------|--|
| Category      | Yacht Windlass & Winch  | Model / SKU | Yatch-Vertical-Windlass-With-Mooring-Drum  |
| Standard      | DIN   | Material    | Stainless steel 304,316, 316L  |
| Weight / Size | Installation Positions Main<br>Parameter Model Net Weight<br>Power Supply Motor AMPS@<br>WORIKING LOAD Max. | Surface     | 2.High-quality polished 316<br>stainless steel surface makes for a<br>good appearance. |
| Certificate   | ABS, LR, BV, DNVGL, NK, KR,<br>IRS, RMRS, CCS   | Warranty    | 12 Months unless specified<br>otherwise  |
| Origin        | China   |             |  |

**CONTENTS**

- Features 1. Vertical design suits powerboats or silboats and can be utilized for anchor ropes, as docking capstans on larger craft, or auxiliary line hauling.
- Installation Positions
- High-quality polished 316 stainless steel surface makes for a good appearance.
- Main Parameter
- Dimension
- Options

**Features**

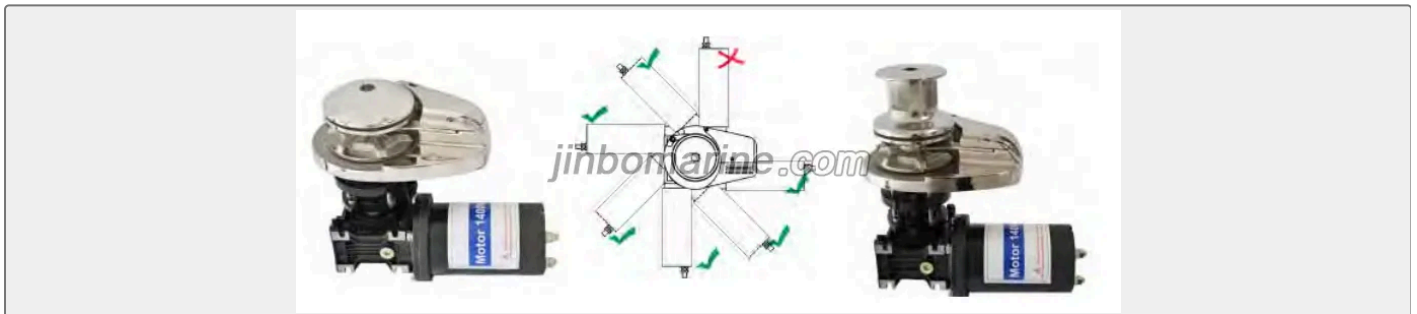
**1. Vertical design suits powerboats or silboats and can be utilized for anchor ropes, as docking capstans on larger craft, or auxiliary line hauling.**

**2. High-quality polished 316 stainless steel surface makes for a good appearance.**

3. Simplified installation by modular design and precise alignment of gearbox to the top works utilizing marine-grade stainless steel studs.

4. Rope-chain gypsy, choice of two gypsy.

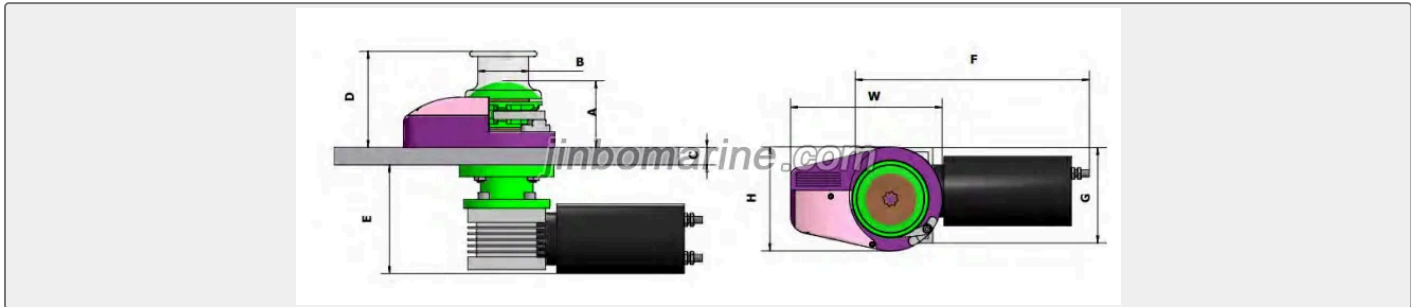
5. Fit include hand-switch, foot-switch, control box and wrench.

**Installation Positions****Main Parameter**

| Model            | Net Weight    | Power Supply | Motor     | AMPS@ WORKING LOAD | Max. Load | Max. Pull | Line Speed | Rope Size      | Chain Size |
|------------------|---------------|--------------|-----------|--------------------|-----------|-----------|------------|----------------|------------|
| YD411/<br>YD411H | 12/12.<br>6KG | 12V/24V      | 400W      | 30A/20A            | 125kg     | 420kg     | 30in/min   | 14/16mm        | 6/7min     |
| YD511/<br>W511H  | 12.<br>3/13KG | 12V/24V      | 600W      | 60A/40A            | 186kg     | 560kg     | 25in/min   | 14/16mm        | 6/7min     |
| YD611/<br>YD611H | 19/21KG       | 12V/24V      | 800W      | 100A/50A           | 250kg     | 700kg     | 20ni/min   | 18/20mm        | 8/10mni    |
| YD711/<br>YD711H | 24/25.<br>5KG | 12V/24V      | 1200<br>W | 120A/75A           | 400kg     | 1200kg    | 20in/min   | 18/20mm        | 8/10mni    |
| YD811/<br>YD811H | 29/31.<br>5KG | 12V/24V      | 1600<br>W | 165A/90A           | 660kg     | 1600kg    | 20in/min   | 18/20/26<br>mm | 8/10/12mni |

|                        |               |         |           |          |       |        |          |                |            |
|------------------------|---------------|---------|-----------|----------|-------|--------|----------|----------------|------------|
| YD1011/<br>YD1011<br>H | 30.<br>5/33KG | 12V/24V | 2000<br>W | 170A/95A | 660kg | 1900kg | 20in/min | 20/26/28<br>mm | 10/12/13mm |
|------------------------|---------------|---------|-----------|----------|-------|--------|----------|----------------|------------|

## Dimension



| Model   | Motor | A(mm) | B(mm) | C(mm) | D(mm) | E(mm) | F(mm) | H(mm) |
|---------|-------|-------|-------|-------|-------|-------|-------|-------|
| YD411   | 400W  | 85    | 22-41 | 140   | 265   | 122   | 180   |       |
| YD411H  | 400W  | 59    | 22-41 | 115   | 135   | 265   | 122   | 181   |
| YD511   | 600W  | 85    | 22-41 | 140   | 275   | 122   | 180   |       |
| YD511H  | 600W  | 59    | 22-41 | 115   | 135   | 275   | 122   | 181   |
| YD611   | 800W  | 110   | 38-54 | 145   | 320   | 155   | 220   |       |
| YD611H  | 800W  | 79    | 38-54 | 165   | 145   | 320   | 155   | 220   |
| YD711   | 1200W | 110   | 38-54 | 172   | 350   | 170   | 265   |       |
| YD711H  | 1200W | 79    | 38-54 | 165   | 172   | 350   | 170   | 265   |
| YD811   | 1600W | 110   | 38-54 | 190   | 415   | 170   | 265   |       |
| YD811H  | 1600W | 79    | 38-54 | 165   | 190   | 415   | 170   | 265   |
| YD1011  | 2000W | 130   | 38-54 | 190   | 415   | 195   | 295   |       |
| YD1011H | 2000W | 110   | 38-54 | 235   | 190   | 415   | 195   | 295   |

## Options

1. With capstan & without capstan.
2. Different-length bolts for any deck thickness.
3. Full range of accessories including anchors, bow rollers, chain stoppers, chain & rope .
- 4.AC eletric motor available .