

# Jinbo Marine

Marine &amp; Offshore Equipment Datasheet

PRODUCT DATASHEET

## FOG HORN &amp; ELECTRIC HORN CONTROL SYSTEM

## ZPB-2 Foghorn Button

ZPB-2 Foghorn Button Color: Gray ( RAL7035 ) IP class:IP56 Weight:0.2Kg Stuffing box cable entrance hole size:  $\Phi$ 12mm

ISO9001 Supplier

Class Certificate

Export Supply



### Key Highlights

<b>Category</b>	Fog Horn & Electric Horn Control System
<b>Standard</b>	EN
<b>Weight / Size</b>	Gray ( RAL7035 ) IP class:IP56 Weight:0.2Kg Stuffing box cable entrance hol...
<b>Certificate</b>	ABS, LR, BV, DNVGL, NK, KR, IRS, RMRS, CCS

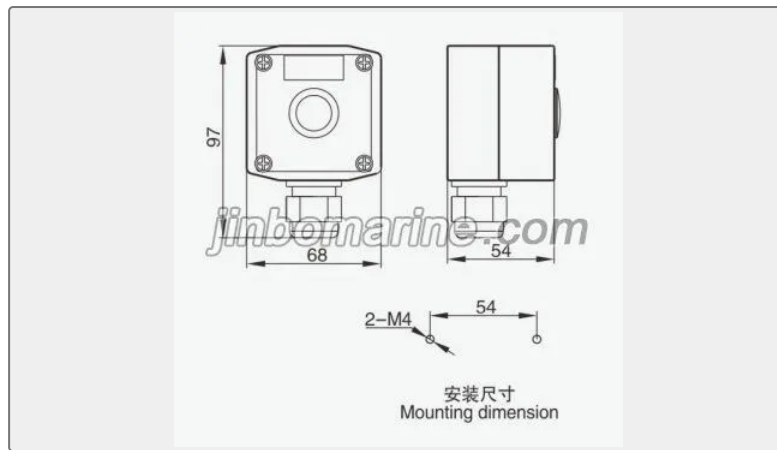
We can supply according to your requirement, drawings, class certificate needs, and delivery schedule.

### Technical Specifications

<b>Category</b>	Fog Horn & Electric Horn Control System	<b>Model / SKU</b>	ZPB-2-Foghorn-Button
<b>Standard</b>	EN	<b>Weight / Size</b>	Gray ( RAL7035 ) IP class:IP56 Weight:0.2Kg Stuffing box cable entrance hole size:
<b>Certificate</b>	ABS, LR, BV, DNVGL, NK, KR, IRS, RMRS, CCS	<b>Warranty</b>	12 Months unless specified otherwise
<b>Origin</b>	China		

### China ZPB-2 Foghorn Button:

ZPB-2 Foghorn Button



Color: Gray ( RAL7035 )

IP class:IP56

Weight:0.2Kg

Stuffing box cable entrance hole size:  $\Phi$ 12mm