

FIRE DETECTION AND ALARM SYSTEM

ZR-02FS Water Proof Base

ZR-02FS Water Proof Base 1)Chapter of international code for fire safety systems as amended by MSC.3119880; 2)Chapter of international code for fire safety systems as amended by MSC.339(91); 3)EN54-2:1997,Fire dete...

ISO9001 Supplier

Class Certificate

Export Supply



Key Highlights

Category	Fire Detection and Alarm System
Standard	EN
Material	Cream-colored Shell material:
Certificate	ABS, LR, BV, DNVGL, NK, KR, IRS, RMRS, CCS

We can supply according to your requirement, drawings, class certificate needs, and delivery schedule.

Technical Specifications

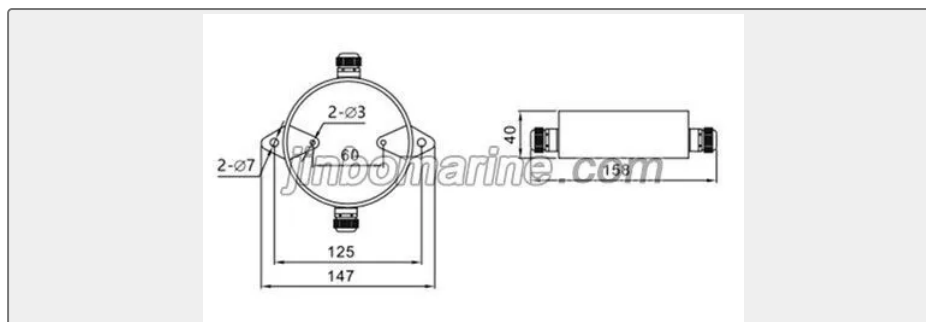
Category	Fire Detection and Alarm System	Model / SKU	ZR-02FS-Water-Proof-Base
Standard	EN	Material	Cream-colored Shell material:
Certificate	ABS, LR, BV, DNVGL, NK, KR, IRS, RMRS, CCS	Warranty	12 Months unless specified otherwise
Origin	China		

China ZR-02FS Water Proof Base:

ZR-02FS Water Proof Base

- 1)Chapter of international code for fire safety systems as amended by MSC.3119880;
- 2)Chapter of international code for fire safety systems as amended by MSC.339(91);
- 3)EN54-2:1997,Fire detection and fire alarm systems Part2:control and indicating equipment.





Colour: Cream-colored

Shell material: ABS Fire retardant

IP rating: IP44

Used in waterproof requirement places with the smoke detector and heat detector.

Be suitable for: DZ-B401,DZ-B801