

HOT WATER TANK

ZRG Series Steam Heating Hot Water Tank

ISO9001 Supplier

Class Certificate

Export Supply

Application: This series of hot water tank is suitable for fresh water system which is heated by steam. Model ZRG-0.12 ZRG-0.2 ZRG-...



Key Highlights

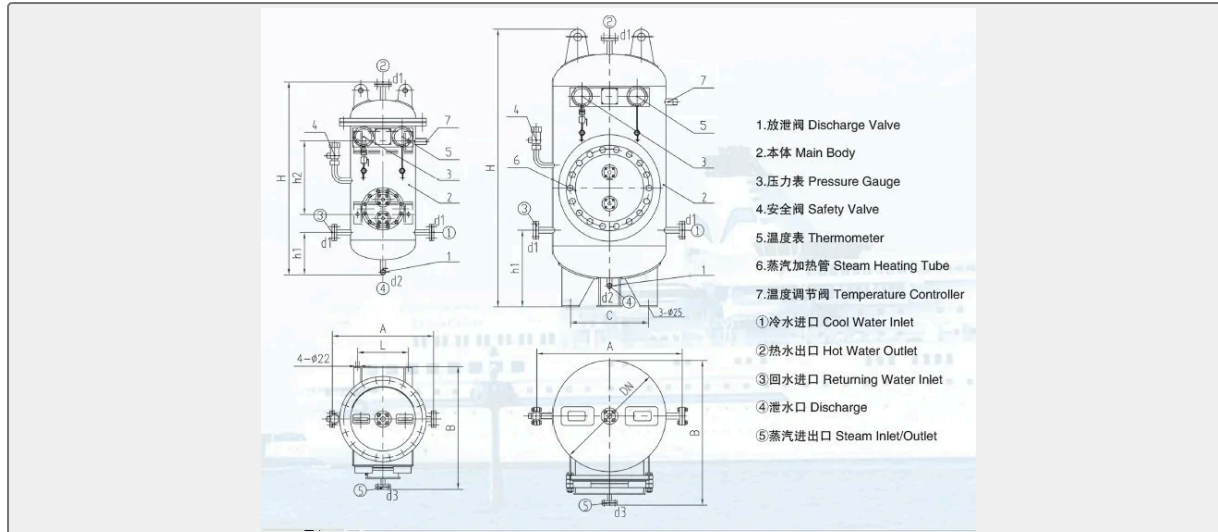
Category	Hot Water Tank
Weight / Size	(°C) 65 Steam Consumption (kg/h) 27.5 45 75 120 325 Heated-water Capacity...
Certificate	CCS,EC,GL and BV certificate.

We can supply according to your requirement, drawings, class certificate needs, and delivery schedule.

Technical Specifications

Category	Hot Water Tank	Model / SKU	ZRG-Series-Steam-Heating-Hot-Water-Tank
Weight / Size	(°C) 65 Steam Consumption (kg/h) 27.5 45 75 120 325 Heated-water Capacity (kg/h) 275 450 750 1200 3250 Steam Hot-water area (m2) 0.24 0.38 0.6 1 2.6 Weight (kg) 155 205 222 286 343 DN 400 500 600 700 900 A 608 708 808 908 1108 B 784 844 944 924 1164 H 1241 1335 1417 1773 2090 d1 DN25 DN32 DN40 d2 3/4" 1" d3 DN20 DN25 C /// Φ490 Φ630 L 320 330 370 // h1 271 266 291 490 533 h2 540 615 630 // H 1241 1335 1417 1773 2090	Certificate	CCS,EC,GL and BV certificate.
Warranty	12 Months unless specified otherwise	Origin	China





Application:

This series of hot water tank is suitable for fresh water system which is heated by steam.

Model	ZRG-0.12	ZRG-0.2	ZRG-0.3	ZRG-0.5	ZRG-1
Capacity (m3)	0.12	0.2	0.3	0.5	1
Working Pressure (Mpa)	0.6				
Design Pressure (Mpa)	0.7				
Steam Pressure (Mpa)	0.3				
Water Inlet Temp. (°C)	15				
Water Outlet Temp. (°C)	65				
Steam Consumption (kg/h)	27.5	45	75	120	325
Heated-water Capacity (kg/h)	275	450	750	1200	3250
Steam Hot-water area (m2)	0.24	0.38	0.6	1	2.6
Weight (kg)	155	205	222	286	343
DN	400	500	600	700	900
A	608	708	808	908	1108
B	784	844	944	924	1164
H	1241	1335	1417	1773	2090
d1	DN25		DN32		DN40
d2	3/4"			1"	
d3	DN20				DN25
C	/	/	/	Φ490	Φ630
L	320	330	370	/	/

h1	271	266	291	490	533
h2	540	615	630	/	/
H	1241	1335	1417	1773	2090