

**FILTER**

# ZYL19 Turbocharger Filter

ZYL19 Turbocharger Filter Please be noted to conduct recheck after every 100hours of operation and perform bypass at an after-strainer pressure of 0.18-0.2Mpa ZYL19 Turbocharger Filter Drawing ...

- ISO9001 Supplier
- Class Certificate
- Export Supply



### Key Highlights

<b>Category</b>	Filter
<b>Certificate</b>	ABS, LR, BV, DNVGL, NK, KR, IRS, RMRS, CCS

We can supply according to your requirement, drawings, class certificate needs, and delivery schedule.

## Technical Specifications

<b>Category</b>	Filter	<b>Model / SKU</b>	ZYL19-Turbocharger-Filter
<b>Certificate</b>	ABS, LR, BV, DNVGL, NK, KR, IRS, RMRS, CCS	<b>Warranty</b>	12 Months unless specified otherwise
<b>Origin</b>	China		

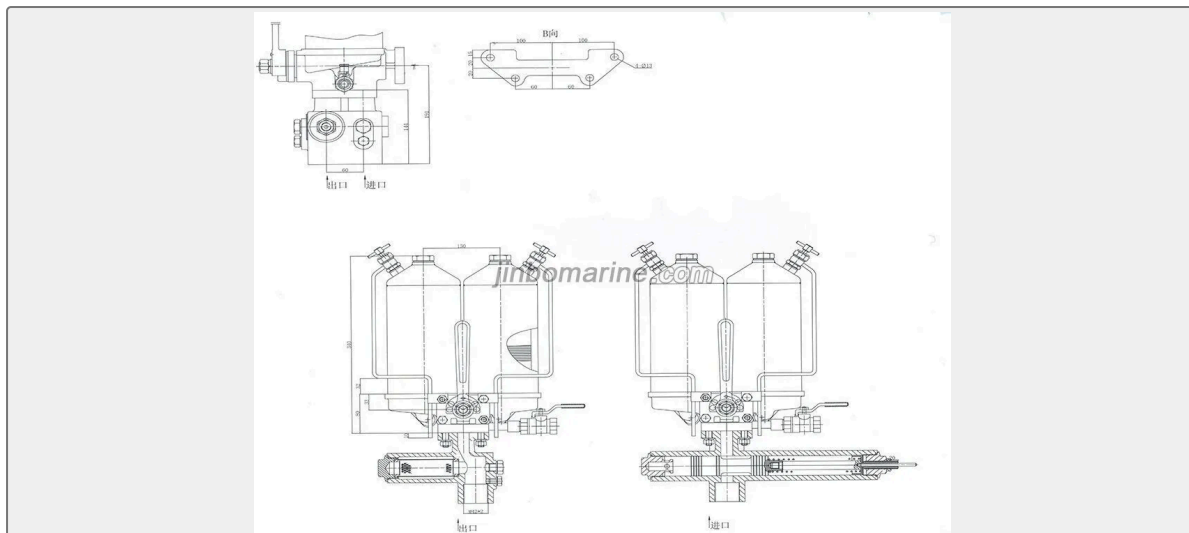
<b>CONTENTS</b>	<ul style="list-style-type: none"> <li>■ ZYL19 Turbocharger Filter</li> <li>■ ZYL19 Turbocharger Filter Technical Parameters</li> </ul>	<ul style="list-style-type: none"> <li>■ ZYL19 Turbocharger Filter Drawing</li> </ul>
-----------------	---	---

## ZYL19 Turbocharger Filter

Please be noted to conduct recheck after every 100hours of operation and perform bypass at an after-strainer pressure of 0.18-0.2Mpa

## ZYL19 Turbocharger Filter Drawing





## ZYL19 Turbocharger Filter Technical Parameters

Work pressure	Filter precision	Flow
1Mpa	32um	4.6M <sup>3</sup> /h