

Jinbo Marine

Marine & Offshore Equipment Datasheet

PRODUCT DATASHEET

MARINE ELECTRICAL INSTRUMENT

ZZ3 DC Tachometer

1、 Overview The complete set of zz3 electric tachometer is used to measure the speed and steering of the ship's propulsion stern shaft. It can be used in the environment with impact, vibration, salt fog, oil fog, oil fog, c...

ISO9001 Supplier

Class Certificate

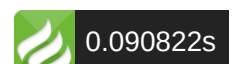
Export Supply



Key Highlights

Category	Marine Electrical Instrument
Standard	EN
Weight / Size	Model Dimensions Type Range (RPM) ZZ3-1 230X260X120 With lighting, raise...
Certificate	ABS, LR, BV, DNVGL, NK, KR, IRS, RMRS, CCS

We can supply according to your requirement, drawings, class certificate needs, and delivery schedule.



Technical Specifications			
Category	Marine Electrical Instrument	Model / SKU	ZZ3-DC-Tachometer
Standard	EN	Weight / Size	Model Dimensions Type Range (RPM) ZZ3-1 230X260X120 With lighting, raised installation ±100 ±600 ZZ3-2 225X260X120 Without lighting, raised installation ±150 ±700 ZZ3-4 120X120X144 Without lighting Embedded installation ±250 ±800 ZZ3-6 96X96X80 Can have lighting embedded installation ±350 ±900 ZZ3-6A 144X144X120X Can have lighting embedded installation ±450 ±100 ZZ3-7 230X260X120 With lighting, raised installation 55V 10V conversion ±550 Tachogenerator Armature rated voltage Rated speed Maximum load current Linearity error Asymmetry Weight Model V r/min Milliampere >P% <P% Kg ZCFY-12TH 55 1900 80 ±0.35 0.35 8.5
Certificate	ABS, LR, BV, DNVGL, NK, KR, IRS, RMRS, CCS	Warranty	12 Months unless specified otherwise
Origin	China		

CONTENTS

■ 1、 Overview

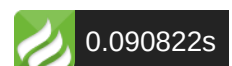
■ Supply scope of complete set:

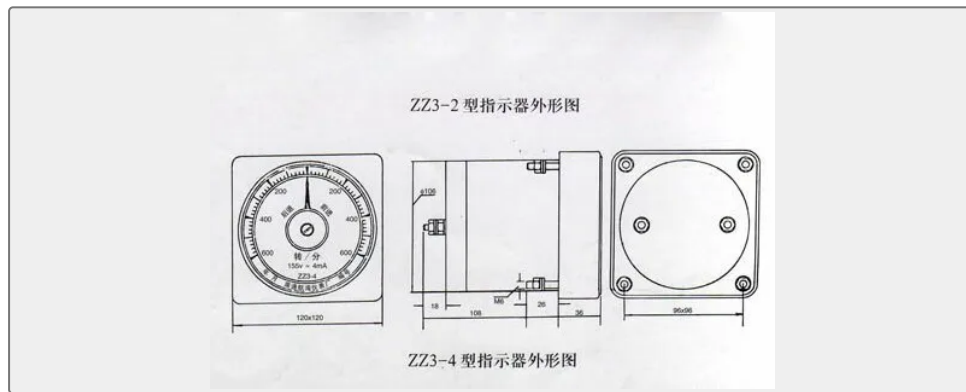
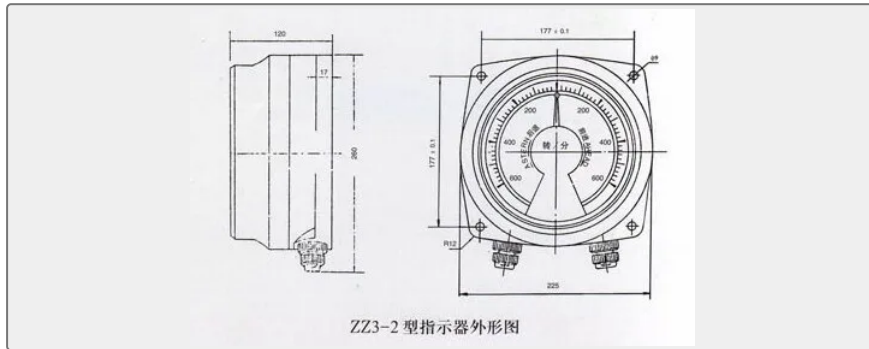
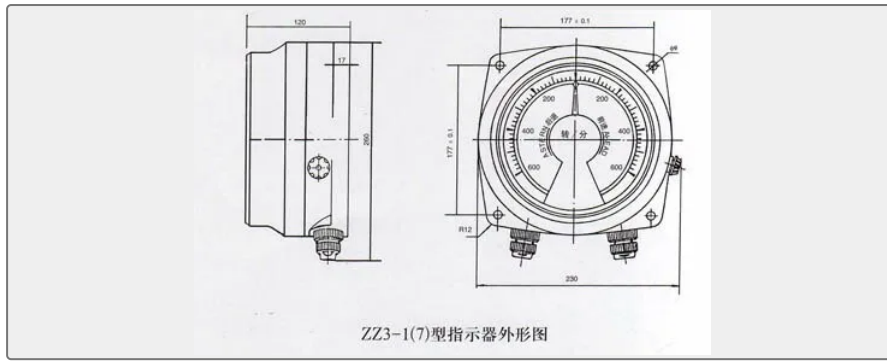
1、 Overview

The complete set of zz3 electric tachometer is used to measure the speed and steering of the ship's propulsion stern shaft. It can be used in the environment with impact, vibration, salt fog, oil fog, condensation, mold, air relative humidity less than 98% and temperature from - 25% to + 55 °C. The indicator on the port side is marked with "backward" on the left side of the dial and "forward" on the right side, while the indicator on the starboard side is marked with the opposite sign.

Supply scope of complete set:

1. One zcfy-12th hydro magnetic tachogenerator.
2. Zz3 indicator (each tachogenerator can drive 16 indicators at the same time), and the range should be provided when ordering.
3. One detachable sprocket and one integral sprocket, and the shaft diameter shall be provided when ordering.
4. Roller chain, length should be provided when ordering.





Model	Dimensions	Type	Range (RPM)
ZZ3-1	230X260X120	With lighting, raised installation	±100 ±600
ZZ3-2	225X260X120	Without lighting, raised installation	±150 ±700
ZZ3-4	120X120X144	Without lighting Embedded installation	±250 ±800
ZZ3-6	96X96X80	Can have lighting embedded installation	±350 ±900
ZZ3-6A	144X144X120X	Can have lighting embedded installation	±450 ±100
ZZ3-7	230X260X120	With lighting, raised installation 55V 10V conversion	±550

Tachogenerator	Armature rated voltage	Rated speed	Maximum load current	Linearity error	Asymmetry	Weight
Model	V	r/min	Milliampere	>%	<%	Kg
ZCFY-12TH	55	1900	80	±0.35	0.35	8.5

