

MARINE STOCKLESS ANCHOR

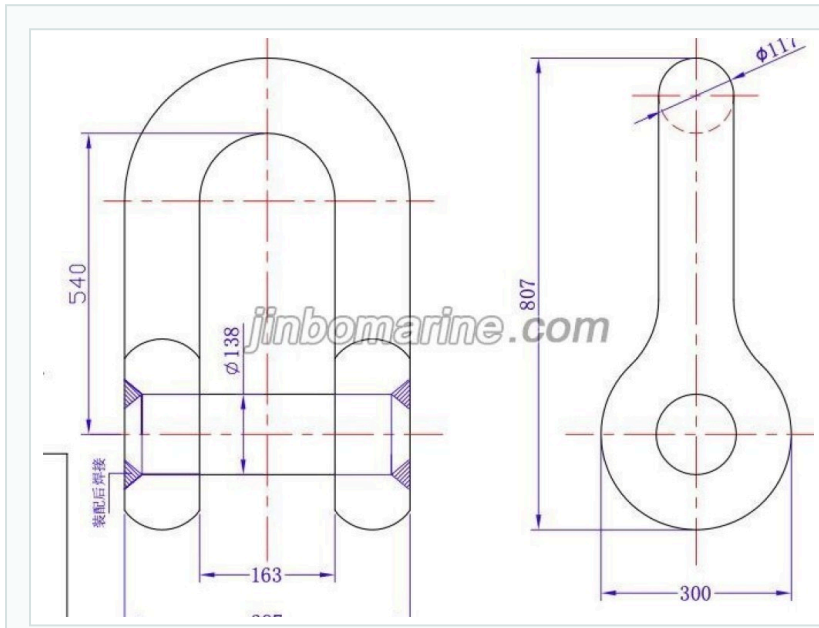
a25 Anchor Shackle for 9000KGS Anchor

ISO9001 Supplier

Class Certificate

Export Supply

a25 Anchor Shackle is used for max anchor weight 9000kgs. Weight: 238.60KGS Material: Casting Steel. Anchor Shackle Drawing



Key Highlights

Category	Marine Stockless Anchor
Material	238.60KGS Material:
Weight / Size	a25 Anchor Shackle is used for max anchor weight 9000kgs.
Certificate	ABS, LR, BV, DNVGL, NK, KR, IRS, RMRS, CCS

We can supply according to your requirement, drawings, class certificate needs, and delivery schedule.

Technical Specifications

Category	Marine Stockless Anchor	Model / SKU	a25-Anchor-Shackle-for-9000KGS-Anchor
Material	238.60KGS Material:	Weight / Size	a25 Anchor Shackle is used for max anchor weight 9000kgs.
Certificate	ABS, LR, BV, DNVGL, NK, KR, IRS, RMRS, CCS	Warranty	12 Months unless specified otherwise
Origin	China		

China a25 Anchor Shackle for 9000KGS Anchor:

a25 Anchor Shackle is used for max anchor weight 9000kgs.

Weight: 238.60KGS

Material: Casting Steel.

Anchor Shackle Drawing

