

Jinbo Marine

Marine & Offshore Equipment Datasheet

PRODUCT DATASHEET

MARINE LADDER

Aluminum Bulwark Ladder

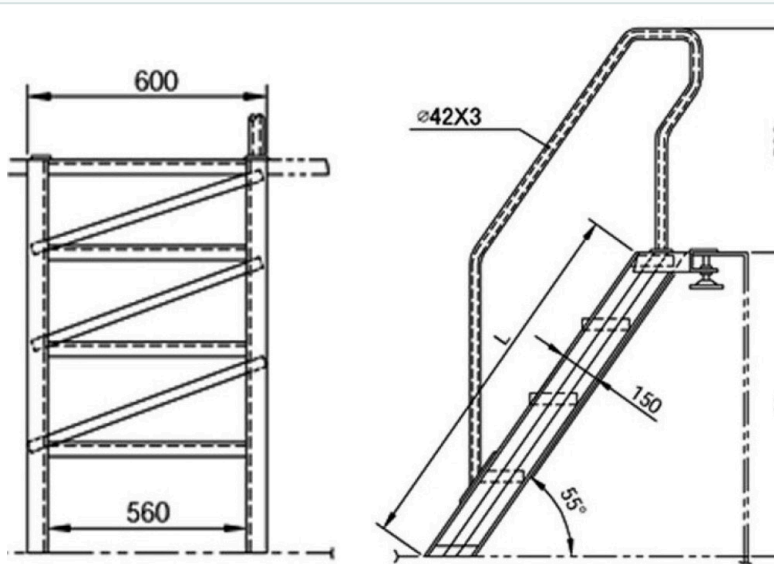
Standard: CB*3122-82 & JIS F2614-1976 The surface of aluminum is to be anodized.

*Bulwark ladder have two types, one is aluminum bulwark ladder, another type is steel bulwark ladder. Main Size List(...)

ISO9001 Supplier

Class Certificate

Export Supply



Key Highlights

Category	Marine Ladder
Standard	JIS
Material	Aluminum Alloy
Weight / Size	Main Size List(mm):
Certificate	CCS,DNV,GL, LR, ABS, BV, NK,KR,RINA

We can supply according to your requirement, drawings, class certificate needs, and delivery schedule.

Technical Specifications

Category	Marine Ladder	Model / SKU	Aluminum-Bulwark-Ladder
Standard	JIS	Material	Aluminum Alloy
Weight / Size	Main Size List(mm):	Surface	CB*3122-82 & JIS F2614-1976 The surface of aluminum is to be anodized.
Certificate	CCS,DNV,GL, LR, ABS, BV, NK,KR,RINA	Warranty	12 Months unless specified otherwise
Origin	China		

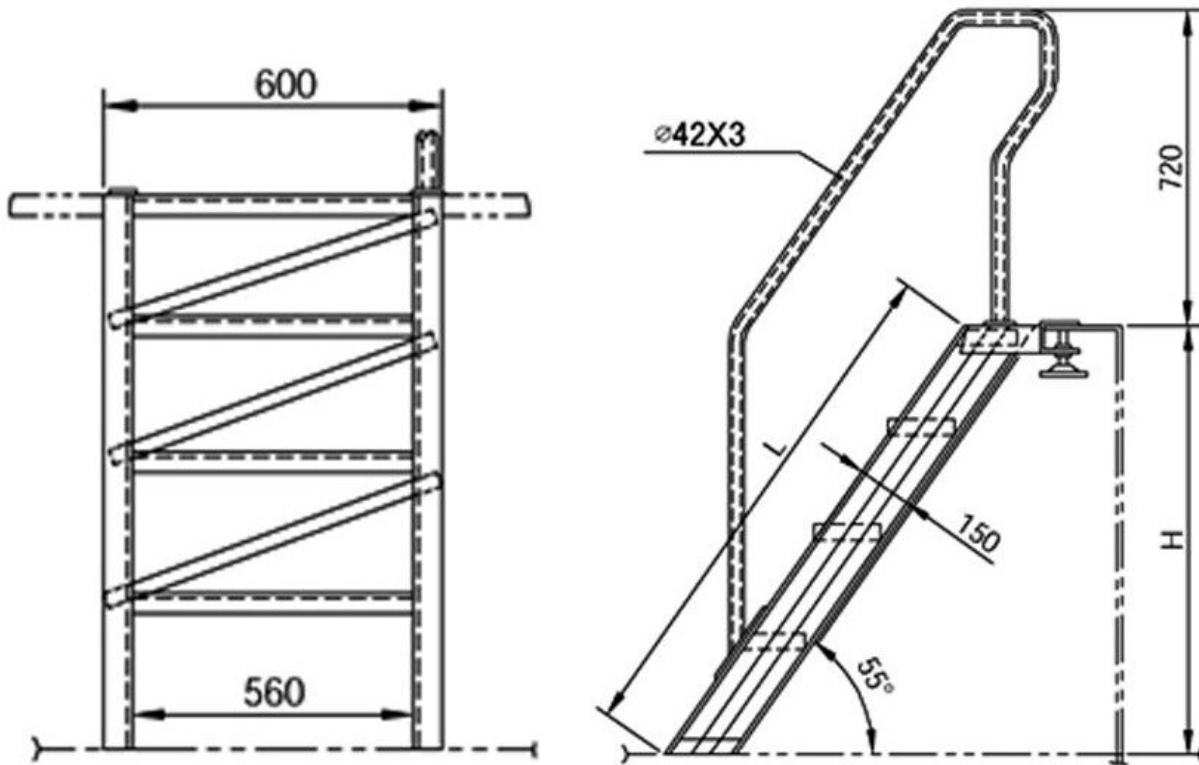
CONTENTS

- China Aluminum Bulwark Ladder:

- Main Size List(mm):



Aluminum Bulwark Ladder Drawing



China Aluminum Bulwark Ladder:

Standard: CB*3122-82 & JIS F2614-1976

The surface of aluminum is to be anodized.

*Bulwark ladder have two types, one is aluminum bulwark ladder, another type is steel bulwark ladder.

Main Size List(mm):

Model	Description	H (mm)	L (mm)	Weight(kgs)
A	Steel Bulwark Ladder	1100	1320	55
		1200	1450	57
B	Aluminum Bulwark Ladder	1100	1340	28
		1200	1470	29