

CHAIN SLING

BLT086 Angular Contat Bearing Swivels-UU Style

- ISO9001 Supplier
- Class Certificate
- Export Supply

BLT086 Angular Contat Bearing Swivels-UU Style The rotating rings are made of high-strength and high-toughness special alloy steel forging and finishing, all of which are modulated and heat treated. The design s...



Key Highlights

Category	Chain Sling						
Standard	EN						
Material	BLT086 Angular Contat Bearing Swivels-UU Style The rotating rings are ma...						
Weight / Size	<table border="0" style="width: 100%;"> <tr> <td style="text-align: left;">SIZE WLL/T</td> <td style="text-align: left;">WEIGHT/KG</td> </tr> <tr> <td>BLT086-007 0.75 0.75</td> <td>0.5</td> </tr> <tr> <td>BLT086-015 1.5 1.5</td> <td>0.9 BLT...</td> </tr> </table>	SIZE WLL/T	WEIGHT/KG	BLT086-007 0.75 0.75	0.5	BLT086-015 1.5 1.5	0.9 BLT...
SIZE WLL/T	WEIGHT/KG						
BLT086-007 0.75 0.75	0.5						
BLT086-015 1.5 1.5	0.9 BLT...						
Certificate	ABS, LR, BV, DNVGL, NK, KR, IRS, RMRS, CCS						

We can supply according to your requirement, drawings, class certificate needs, and delivery schedule.

Technical Specifications			
Category	Chain Sling	Model / SKU	BLT086-Angular-Contat-Bearing-Swivels-UU-Style
Standard	EN	Material	BLT086 Angular Contat Bearing Swivels-UU Style The rotating rings are made of high-strength and high-toughness special alloy steel forging and finishing, all of which are modulated and heat treated.
Weight / Size	SIZE WLL/T WEIGHT/KG BLT086-007 0.75 0.75 0.5 BLT086-015 1.5 1.5 0.9 BLT086-030 3 3 2.3 BLT086-050 5 5 4.4 BLT086-085 8.5 8.5 7.6 BLT086-100 10 10 19.5 BLT086-150 15 15 21.7 BLT086-250 25 25 39.5 BLT086-350 35 35 46.2 BLT086-600 60 60 ITEM NO.	Surface	galvanized
Certificate	ABS, LR, BV, DNVGL, NK, KR, IRS, RMRS, CCS	Warranty	12 Months unless specified otherwise
Origin	China		

CONTENTS	■ BLT086 Angular Contat Bearing Swivels-UU Style	■ BLT086 Angular Contat Bearing Swivels-UU Style Drawing
	■ BLT086 Angular Contat Bearing Swivels-UU Style Parameters	

BLT086 Angular Contat Bearing Swivels-UU Style

The rotating rings are made of high-strength and high-toughness special alloy steel forging and finishing, all of which are modulated and heat treated.

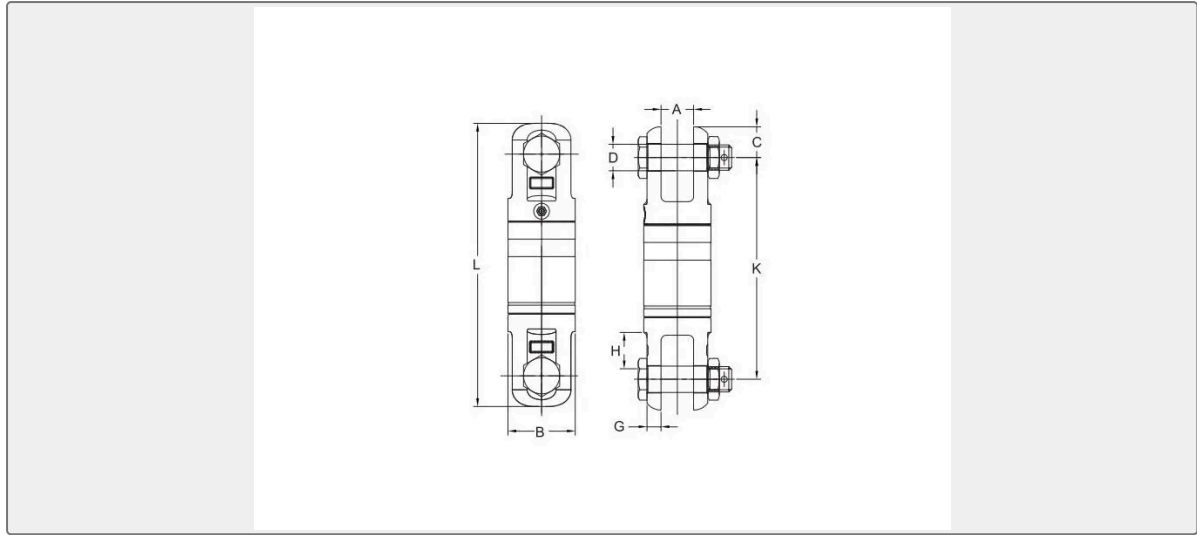
The design safety factor of the rotating ring is 4:1

The independent test load should be twice the safe working load when the rotating ring is tested and certified.

The surface of the rotating ring is galvanized or plastic coated, so that the product can have better corrosion resistance and longevity.

The rotating ring is provided with a grease nipple to facilitate maintenance and make the product have better performance.

BLT086 Angular Contat Bearing Swivels-UU Style Drawing



BLT086 Angular Contat Bearing Swivels-UU Style Parameters

ITEM NO.	SIZE	WLL/T	WEIGHT/KG
BLT086-007	0.75	0.75	0.5
BLT086-015	1.5	1.5	0.9
BLT086-030	3	3	2.3
BLT086-050	5	5	4.4
BLT086-085	8.5	8.5	7.6
BLT086-100	10	10	19.5
BLT086-150	15	15	21.7
BLT086-250	25	25	39.5
BLT086-350	35	35	46.2
BLT086-600	60	60	

ITEM NO.	TECHNICAL PARAMETERS/MM			
	B	K	L	C
BLT086-007	34	102	128	13
BLT086-015	40	112	152	20
BLT086-030	53	160	210	25
BLT086-050	67	203	267	32
BLT086-085	78	250	326	38
BLT086-100	104	310	410	50
BLT086-150	116	320	440	60
BLT086-250	137	405	535	65

BLT086-350	154	405	535	65
BLT086-600	270	670	890	112
ITEM NO.	TECHNICAL PARAMETERS/MM			
	A	D	G	H
BLT086-007	15	10	8	22
BLT086-015	18	13	8	26
BLT086-030	23	19	10	32
BLT086-050	32	22	14	37
BLT086-085	40	30	14	54
BLT086-100	42	38	25	54
BLT086-150	48	38	25	57
BLT086-250	62	50	30	70
BLT086-350	62	50	33	70
BLT086-600	100	80	75	75