

Jinbo Marine

Marine & Offshore Equipment Datasheet

PRODUCT DATASHEET

JIS MARINE SOUNDING ACCESSORIES

Brass Sounding Pipe Cap JIS F3003

Design Standard: JIS F3003-1977 Material: Brass or Bronze Size: DN32, DN40, DN50, DN65, DN80 It can be with the chain rope, when you order, pls state.

ISO9001 Supplier

Class Certificate

Export Supply



Key Highlights

Category JIS Marine Sounding Accessories

Standard JIS

Material Brass or Bronze

Weight / Size Brass or Bronze Size:

Certificate Mill Certificate

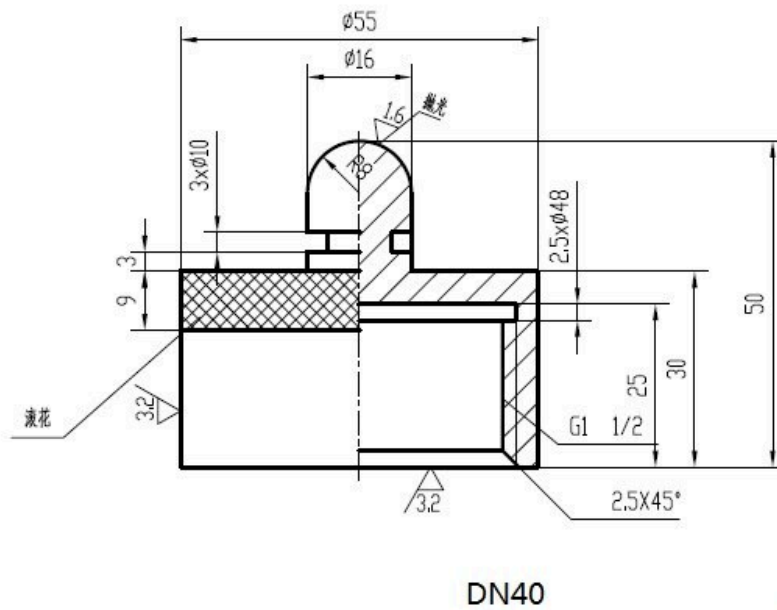
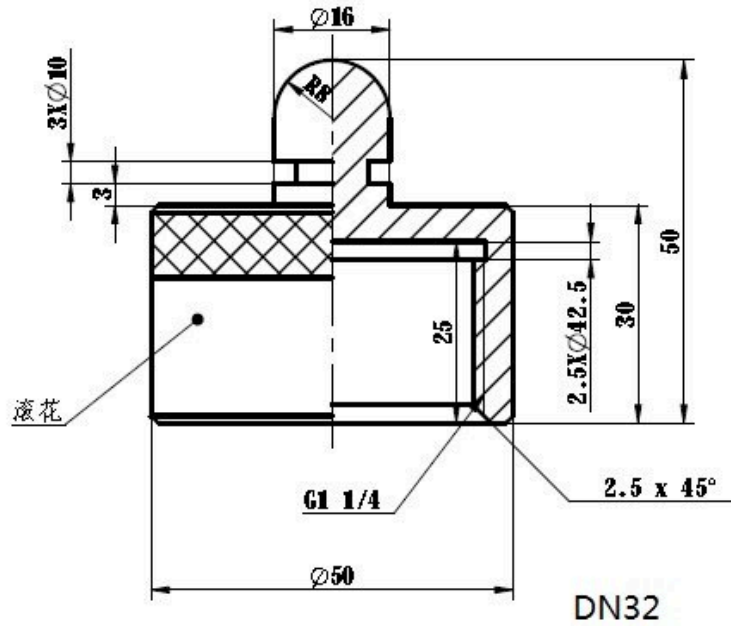
We can supply according to your requirement, drawings, class certificate needs, and delivery schedule.

Technical Specifications

Category	JIS Marine Sounding Accessories	Model / SKU	Brass-Sounding-Pipe-Cap-JIS-F3003
Standard	JIS	Material	Brass or Bronze
Weight / Size	Brass or Bronze Size:	Certificate	Mill Certificate
Warranty	12 Months unless specified otherwise	Origin	China



China Brass Sounding Pipe Cap JIS F3003:



Design Standard: JIS F3003-1977

Material: Brass or Bronze

Size: DN32, DN40, DN50, DN65, DN80

It can be with the chain rope, when you order, pls state.