

STEEL CARGO BLOCK

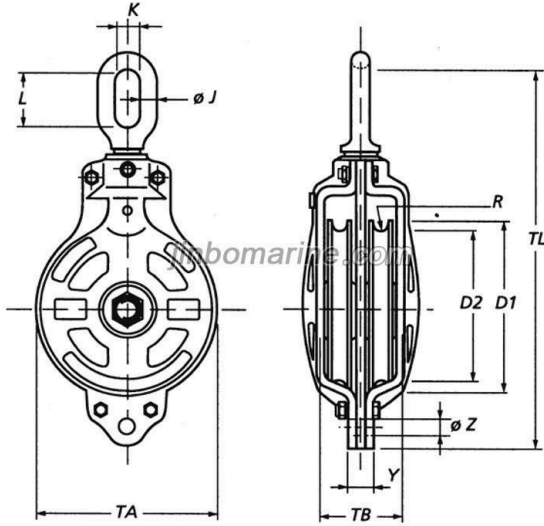
Cargo Blocks With Becket

Drawing: Specification: stock no. will(t) wire up tp (mm) dimensions(mm) weight(kg) D1 ...

ISO9001 Supplier

Class Certificate

Export Supply




Key Highlights

Category	Steel Cargo Block
Standard	EN
Weight / Size	will(t) wire up tp (mm) dimensions(mm) weight(kg) D1 D2 F øG øJ K L M R ...
Certificate	ABS, LR, BV, DNVGL, NK, KR, IRS, RMRS, CCS

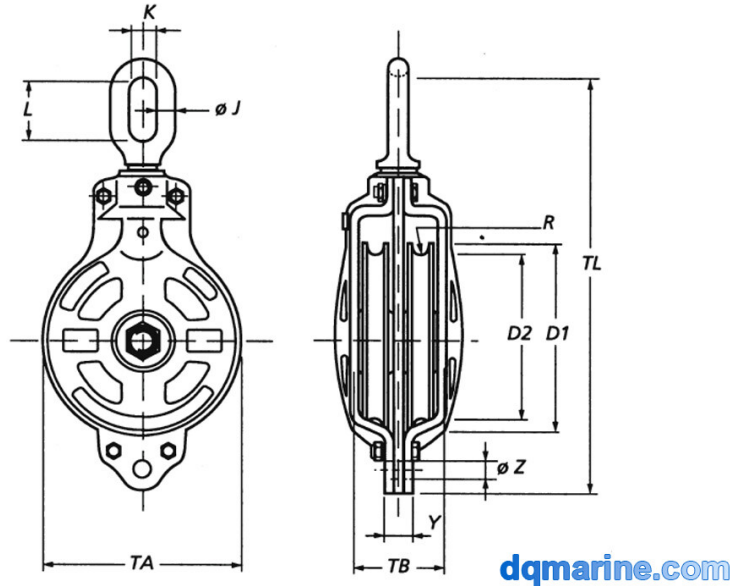
We can supply according to your requirement, drawings, class certificate needs, and delivery schedule.

Technical Specifications

Category	Steel Cargo Block	Model / SKU	Cargo-Blocks-With-Becket
Standard	EN	Weight / Size	will(t) wire up tp (mm) dimensions(mm) weight(kg) D1 D2 F øG øJ K L M R TA TB TL X Y Z 13.250.06.11 6 18 250 210 45 35 29 45 108 42 9.5 270 105 630 50 25 25 22 13.300.09.11 9 20 300 255 50 40 36 54 125 54 52 320 125 750 65 30 33 35 13.350.12.11 12 22 350 305 60 45 41 60 144 60 56 380 140 840 65 30 33 55 13.400.15.11 15 24 400 345 65 50 46 66 163 66 64 430 153 980 90 40 42 81 13.450.24.11 24 28 450 390 70 70 60 80 195 80 76 480 170 1130 95 45 48 145 Product Advantage:
Certificate	ABS, LR, BV, DNVGL, NK, KR, IRS, RMRS, CCS	Warranty	12 Months unless specified otherwise
Origin	China		 0.089040s

CONTENTS

- Drawing:
- Product Advantage:
- How to Order?
- Specification:
- Packing and Delivery :

Drawing:**Specification:**

stock no.	will(t)	wire up tp (mm)	dimensions(mm)															weight(kg)	
			D 1	D 2	F	Φ G	Φ J	K	L	M	R	T A	T B	T L	X	Y	Z		
13.250.06.11	6	18	250	210	45	35	29	45	108	42	95	270	170	630	570	300	250	250	22
13.300.09.11	9	20	300	250	50	40	36	54	125	55	110	330	220	750	650	400	350	350	35
13.350.12.11	12	22	350	300	60	45	41	60	140	66	120	390	270	840	740	450	400	400	55
13.400.15.11	15	24	400	350	70	50	46	66	150	72	130	420	300	900	800	500	450	450	81
13.450.24.11	24	28	450	400	90	70	62	80	180	88	150	450	330	1100	950	550	500	500	145

Product Advantage:

- 1.Satisfactory Quality
- 2.Competitive Price



- 3.Prompt Delivery
- 4.7x24 hours service

Packing and Delivery :

- 1. Standard Export Packing or Seaworthy Packing, if you have special requirement, please specify when inquiry.
- 2. Fast Delivery, delivery time can negotiate when order.

How to Order?

- 1. Please inform us the model, type or size you need.
- 2. Please inform us the quantity to make the best price for you.
- 3. Shipment Model: Air or Sea shipment.
- 4. Special requirement if any.

