

Jinbo Marine

Marine & Offshore Equipment Datasheet

PRODUCT DATASHEET

MARINE CHOCK

CB34-76 A Type Mooring Chock

Feature: 1.Strict quality control. 2.Can issue BV,CCS,DNV,ABS,mill certificate 3.Good after-sale service 4. CB34-76 Type A,Type B,Type C and Type D available. 5.surface in contact with the rope i...

- ISO9001 Supplier
- Class Certificate
- Export Supply



Key Highlights

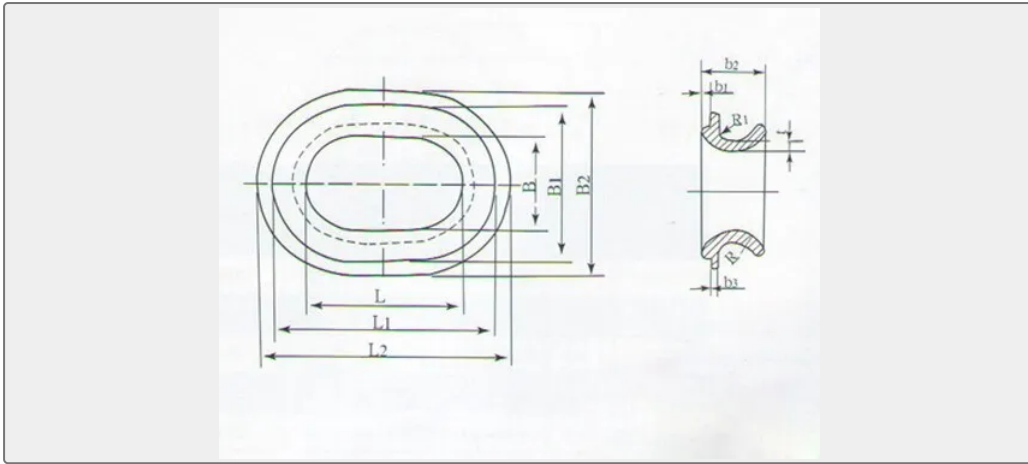
Category	Marine Chock
Standard	CB
Material	cast steel
Weight / Size	We designs and manufactures panama chocks in a wide variety of sizes and...
Certificate	BV,CCS,ABS,mill certificate

We can supply according to your requirement, drawings, class certificate needs, and delivery schedule.

Technical Specifications

Category	Marine Chock	Model / SKU	CB34-76-A-Type-Mooring-Chock
Standard	CB	Material	cast steel
Weight / Size	We designs and manufactures panama chocks in a wide variety of sizes and styles.	Surface	5.surface in contact with the rope in use been finished smoothly.
Certificate	BV,CCS,ABS,mill certificate	Warranty	12 Months unless specified otherwise
Origin	China		





Feature:

1. Strict quality control.
2. Can issue BV, CCS, DNV, ABS, mill certificate
3. Good after-sale service
4. CB34-76 Type A, Type B, Type C and Type D available.
5. surface in contact with the rope in use been finished smoothly.

We designs and manufactures panama chocks in a wide variety of sizes and styles.

Our panama chocks and other deck fittings are used by military and industrial ships, operating effectively throughout the world.

CB 34-76 A type Mooring chock												
Steel rope diameter	Hemp rope perimeter	Nylon rope diameter	L	L1	L2	B	B1	B2	t	B1	B2	Weight(kg)
18.5	160	35	200	300	340	130	230	270	18	18	110	16.4
22.5	200	45	260	400	450	170	310	360	25	25	160	40.4
28	230	55	320	465	515	200	345	395	28	28	175	57
33.5	270	70	400	572	632	260	430	490	32	32	200	95.6
43.5	325	90	480	685	755	310	525	595	35	35	240	171

