

Jinbo Marine

Marine & Offshore Equipment Datasheet

PRODUCT DATASHEET

MARINE FAN/BLOWER

CWZ Marine or Navy Small Axial Fan

General: CWZ series marine or navy small axial fan is suitable for ventilation of kitchen, lavatory, bulkhead, the public place and meeting room etc, in the naval and merchant ships. They are also applicable in other ...

ISO9001 Supplier

Class Certificate

Export Supply



Key Highlights

Category	Marine Fan/Blower
Standard	EN
Material	Steel, Aluminum
Weight / Size	The fan has low noise, small size, light weight, stable performance, etc.
Certificate	CCS, BV, ABS, GL, LR, DNV, NK, RINA, KR, IRS

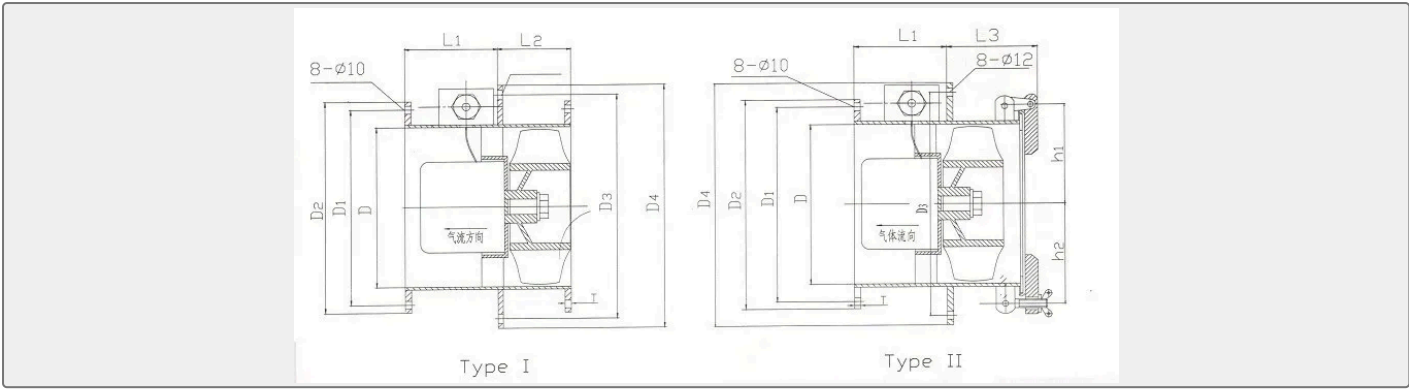
We can supply according to your requirement, drawings, class certificate needs, and delivery schedule.

Technical Specifications

Category	Marine Fan/Blower	Model / SKU	CWZ-Marine-or-Navy-Small-Axial-Fan
Standard	EN	Material	Steel, Aluminum
Weight / Size	The fan has low noise, small size, light weight, stable performance, etc.	Certificate	CCS, BV, ABS, GL, LR, DNV, NK, RINA, KR, IRS
Warranty	12 Months unless specified otherwise	Origin	China

CONTENTS

- General:
- Structural Types:
- Features:
- Specification:



General:

CWZ series marine or navy small axial fan is suitable for ventilation of kitchen, lavatory, bulkhead, the public place and meeting room etc, in the naval and merchant ships. They are also applicable in other suitable places.

Features:

The fan has low noise, small size, light weight, stable performance, etc.

In the procedure of design and manufacturing, the marine special conditions have been thought. The impellers are strictly made by dynamic balance adjustment and overspeed test. Therefore, the fan also has the features of good-anti-corrosion, anti-swing, vibration resistance, shock resistance, stable running and safety, reliability.

The fan can be with 380V, 440V, 220V/50Hz, 60Hz.

Structural Types:

Type I-- Tube Type, connected with short tubes or fixed on the bulkhead.

Type ii--Porthole Type, fixed on porthole or bulkhead. With the waterproof device, it can be easily opened or closed to keep rain or sea water out.

Impellers are made of cast aluminum alloy, the case is welded by steel plate.

Specification:

Type	Flow rate (m3/h)	Total Pressure(Pa)	Speed (r/min)	Motor			weight (kgs)	
				Hz	kw	Type	I	II
				fred	power			
CWZ-200D	450	35	1400	50	0.04	AO2-5024	12.7	14.3
	550	50	1700	60				
CWZ-200G	920	140	2800	50	0.09	AO2-5622	12.7	14.3
	1120	200	3400	60				
CWZ-224D	650	40	1400	50	0.04	AO2-5024	14	15.8
	790	60	1700	60				
CWZ-224G	1310	160	2800	50	0.12	AO2-5622	14.6	16.4
	1590	240	3400	60				

CWZ-250D	910	50	1400	50	0.04	AO2-5024	16.2	18.5
	1100	75	1700	60				
CWZ-250G	1810	200	2800	50	0.25	AO2-6322	17.2	19.6
	2210	300	3400	60				
CWZ-280	1280	65	1400	50	0.09	AO2-5024	20	22.5
	1550	95	1700	60				