

Jinbo Marine

Marine & Offshore Equipment Datasheet

PRODUCT DATASHEET

HIGH HOLDING POWER ANCHOR

D Hone Anchor

D Hone Anchor D Hone anchor is also an High Holding Power Anchor, all anchors could be supplied with Classification Certificate, LR, ABS, BV, GL, DNV, KR, NK, IRS and CCS Certificate. ...

ISO9001 Supplier

Class Certificate

Export Supply



Key Highlights

Category	High Holding Power Anchor
Standard	DIN
Material	Casting Steel
Weight / Size	75KGS to 30000KGS
Certificate	ABS, LR, BV, DNV, GL, RINA, NK, KR, RS, IRS, CCS

We can supply according to your requirement, drawings, class certificate needs, and delivery schedule.

Technical Specifications

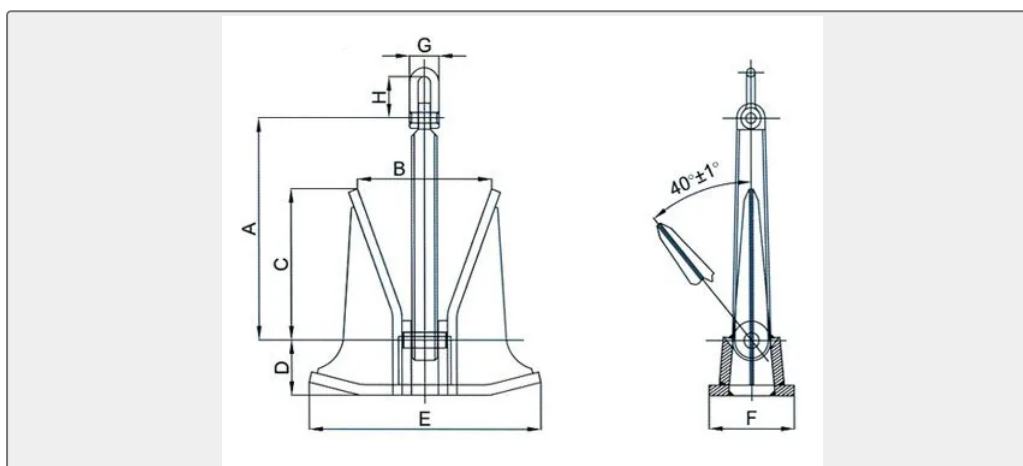
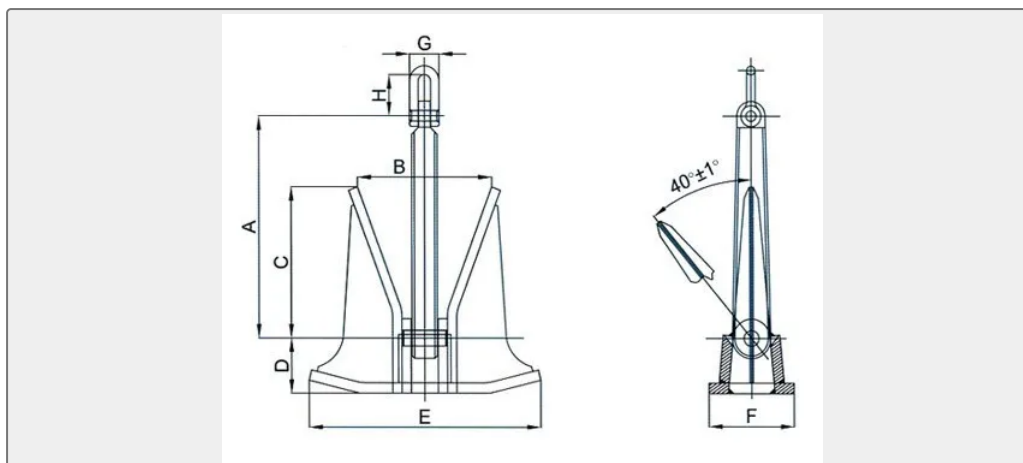
Category	High Holding Power Anchor	Model / SKU	D-Hone-Anchor
Standard	DIN	Material	Casting Steel
Weight / Size	75KGS to 30000KGS	Certificate	ABS, LR, BV, DNV, GL, RINA, NK, KR, RS, IRS, CCS
Warranty	12 Months unless specified otherwise	Origin	China

CONTENTS

- China D Hone Anchor:

- Technical Spec:

China D Hone Anchor:



D Hone Anchor

D Hone anchor is also an **High Holding Power Anchor**, all anchors could be supplied with Classification Certificate, LR, ABS, BV, GL, DNV, KR, NK, IRS and CCS Certificate.

Technical Spec:

Material: Casting Steel

Weight: 75KGS to 30000KGS

Class Certificate: LR, ABS, BV, GL, DNV, KR, NK, IRS and CCS

