

Jinbo Marine

Marine & Offshore Equipment Datasheet

PRODUCT DATASHEET

MARINE EXPLOSION-PROOF LIGHTS SERIES

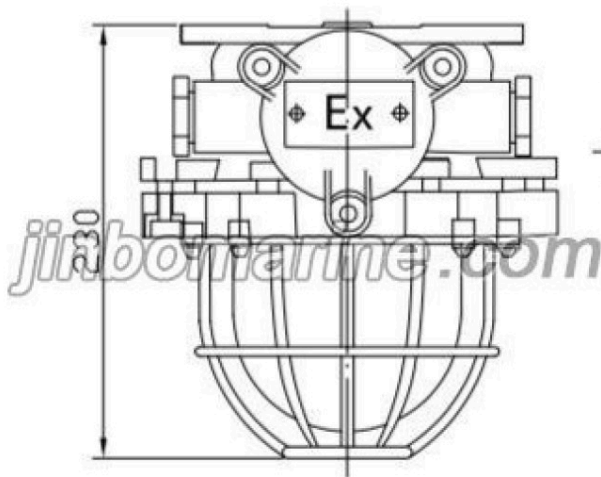
dF220-100 Incandescent Ex-proof Light

Application Applied to illumination of ship oil exploit platform, chemical product and explosive gas plaze zone 1 and zone 2. Product Feature 1. The body is made of cast brass, lampshade is transpare...

ISO9001 Supplier

Class Certificate

Export Supply



Key Highlights

Category	Marine Explosion-proof Lights Series
Standard	GB
Material	The body is made of cast brass, lampshade is transparent toughened glass...
Weight / Size	3.Confirm to the GB3836.1-2010 and GB3836.2-2010 Specification Type Volt...
Certificate	ABS, LR, BV, DNVGL, NK, KR, IRS, RMRS, CCS

We can supply according to your requirement, drawings, class certificate needs, and delivery schedule.

Technical Specifications			
Category	Marine Explosion-proof Lights Series	Model / SKU	dF220-100-Incandescent-Ex-proof-Light
Standard	GB	Material	The body is made of cast brass, lampshade is transparent toughened glass, with stainless steel metal guard, high water-proof and anti-corrosion.
Weight / Size	3.Confirm to the GB3836.1-2010<explosion environment first parts:general requirements for equipment> and GB3836.2-2010<explosive environment-parts second:equipment protected by flameproof enclosre D> Specification Type Voltage Power Lamp Holder Ex-proof Symbol Weight dF220-25 24/110/220V 25W E27 Exd II CT6 Gb 7.2kg dF220-60 24/110/220V 60W E27 Exd II CT5 Gb 7.2kg dF220-100 24/110/220V 100W E27 Exd II CT4 Gb 9.8kg TdF220-11 24/110/220V 11W E27 Exd II CT6 Gb 4.5kg TdF220-25 24/110/220V 25W E27 Exd II CT6 Gb 4.5kg TdF220-60 24/110/220V 60W E27 Exd II CT4 Gb 4.5kg	Certificate	ABS, LR, BV, DNVGL, NK, KR, IRS, RMRS, CCS
Warranty	12 Months unless specified otherwise	Origin	China

China dF220-100 Incandescent Ex-proof Light:

Application

Applied to illumination of ship oil exploit platform, chemical product and explosive gas plaze zone 1 and zone 2.

Product Feature

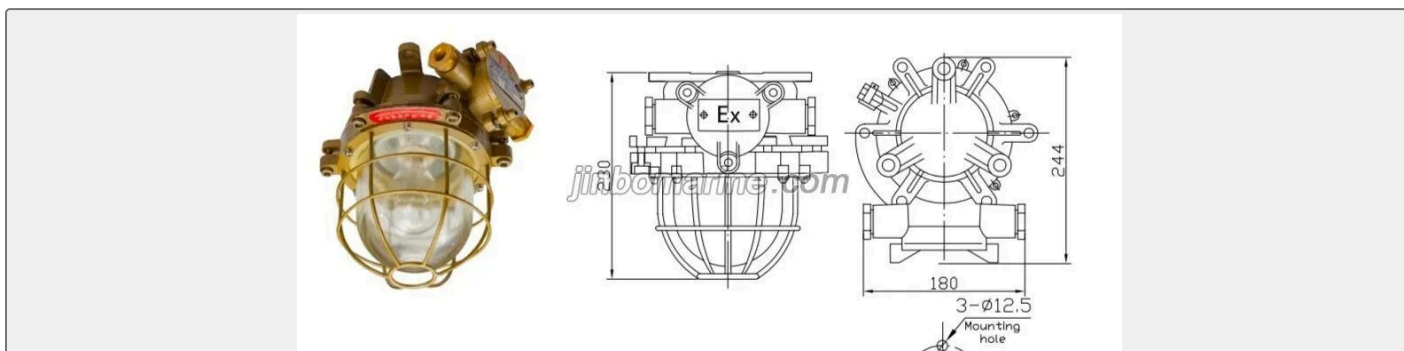
1. The body is made of cast brass, lampshade is transparent toughened glass, with stainless steel metal guard, high water-proof and anti-corrosion.
2. Production class is IP56.

Standard

1. Chapter 3, Part 4 of Classification Society Rules for Classification of Sea-going Steel Ships 2015 and its Amendments;
- 2.GB7000.1-2015 , Luminaires –Part1:General requirements and tests.

3.Confirm to the GB3836.1-2010<explosion environment first parts:general requirements for equipment> and GB3836.2-2010<explosive environment-parts second:equipment protected by flameproof enclosre D>

Specification



Type	Voltage	Power	Lamp Holder	Ex-proof Symbol	Weight
dF220-25	24/110/220V	25W	E27	Exd II CT6 Gb	7.2kg
dF220-60	24/110/220V	60W	E27	Exd II CT5 Gb	7.2kg
dF220-100	24/110/220V	100W	E27	Exd II CT4 Gb	9.8kg
TdF220-11	24/110/220V	11W	E27	Exd II CT6 Gb	4.5kg
TdF220-25	24/110/220V	25W	E27	Exd II CT6 Gb	4.5kg
TdF220-60	24/110/220V	60W	E27	Exd II CT4 Gb	4.5kg