

Jinbo Marine

Marine & Offshore Equipment Datasheet

PRODUCT DATASHEET

DOVETAIL PLATES FOUNDATIONS

Double Flush ISO Foundations Longitudinal

ISO9001 Supplier

Class Certificate

Export Supply

Jinbo Marine supplies marine and offshore equipment for global industrial customers.



Key Highlights

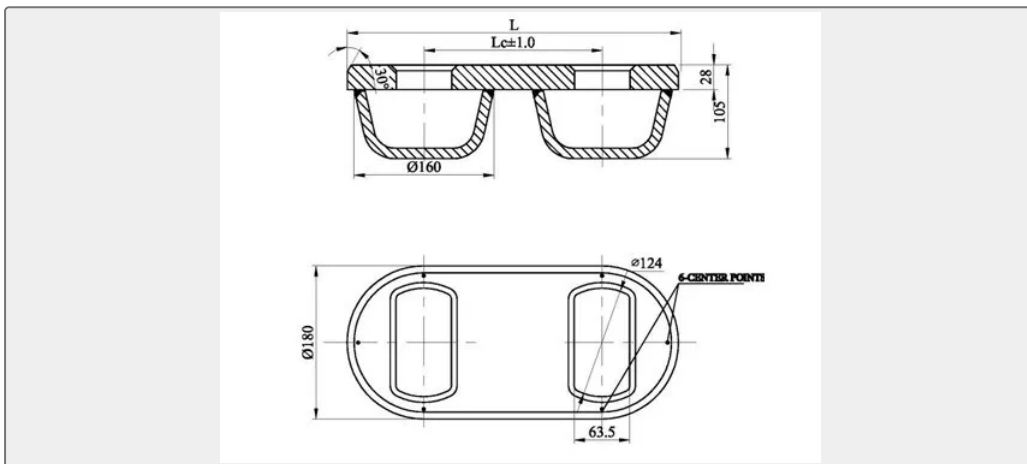
Category	Dovetail Plates Foundations
Standard	ISO
Material	casting steel
Certificate	GL certificate

We can supply according to your requirement, drawings, class certificate needs, and delivery schedule.

Technical Specifications

Category	Dovetail Plates Foundations	Model / SKU	Double-Flush-ISO-Foundations-Longitudinal
Standard	ISO	Material	casting steel
Certificate	GL certificate	Warranty	12 Months unless specified otherwise
Origin	China		

China Double Flush ISO Foundations Longitudinal:



- 1.All items are approved by major classification societies
- 2.customized design is available.

Material: casting steel

Finish: paint

Type: Length 203 Weight19kg/ Length 216 Weight20kg/ Length 258 Weight22kg

M.B.L: Tension: 500KN

M.B.L: Shear: 420KN

Certification: All items are approved by major classification societies

Remarks: customized design is available

Our scope of supply(cotainer fastners) covers the follows:

D-ring, Lashing plate, Raised ISO foundations, Dovetail foundations, Flush sockets, Sliding foundations, Guide cone, Guide block, Turnbuckles, Lashing rods, Extension rods, Manual twistlocks, Semi-automatic twistlocks, Midlocks, Sliding twistlocks, Bridge fittings, Single stackers, Double stackers, Hanging stackers, ETC.