

Jinbo Marine

Marine & Offshore Equipment Datasheet

PRODUCT DATASHEET

MARINE EXPLOSION-PROOF LIGHTS SERIES

edyF201 Improved Safety Type Ex-proof Fluorescent Light

ISO9001 Supplier

Class Certificate

Export Supply

Application Applied to illumination of ship oil exploit platform, chemical product and explosive gas plaze zone 1 and zone 2. Product Feature 1. The body is made of cast brass, lampshade is transpare...



Key Highlights

Category	Marine Explosion-proof Lights Series
Standard	GB
Material	The body is made of cast brass, lampshade is transparent toughened glass...
Weight / Size	3.Confirm to the GB3836.1-2010 and GB3836.2-2010 Specification Type Volt...
Certificate	ABS, LR, BV, DNVGL, NK, KR, IRS, RMRS, CCS

We can supply according to your requirement, drawings, class certificate needs, and delivery schedule.

Technical Specifications			
Category	Marine Explosion-proof Lights Series	Model / SKU	edyF201-Improved-Safety-Type-Ex-proof-Fluorescent-Light
Standard	GB	Material	The body is made of cast brass, lampshade is transparent toughened glass, with stainless steel metal guard, high water-proof and anti-corrosion.
Weight / Size	3.Confirm to the GB3836.1-2010<explosion environment first parts:general requirements for equipment> and GB3836.2-2010<explosive environment-parts second:equipment protected by flameproof enclosre D> Specification Type Voltage Power Size Ex-proof Symbol Weight edyF201 110/220V 50/60Hz 1x20W 852x650x450 Exd II CT5 Gb 6.5kg edyF202 110/220V 50/60Hz 2x20W 852x650x450 Exd II CT5 Gb 6.8kg edyF401 110/220V 50/60Hz 1x40W 1455x240x1100 Exd II CT5 Gb 8.5kg edyF402 110/220V 50/60Hz 2x40W 1455x240x1101 Exd II CT5 Gb 8.8kg	Certificate	ABS, LR, BV, DNVGL, NK, KR, IRS, RMRS, CCS
Warranty	12 Months unless specified otherwise	Origin	China

China edyF201 Improved Safety Type Ex-proof Fluorescent Light:

Application

Applied to illumination of ship oil exploit platform, chemical product and explosive gas plaze zone 1 and zone 2.

Product Feature

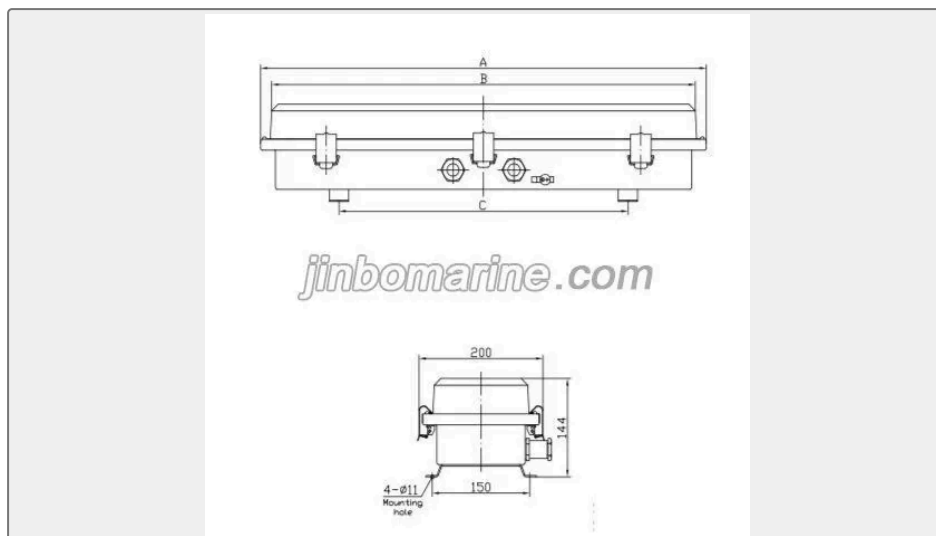
1. The body is made of cast brass, lampshade is transparent toughened glass, with stainless steel metal guard, high water-proof and anti-corrosion.
2. Production class is IP56.

Standard

1. Chapter 3, Part 4 of Classification Society Rules for Classification of Sea-going Steel Ships 2015 and its Amendments;
- 2.GB7000.1-2015 , Luminaires –Part1:General requirements and tests.

3. Confirm to the GB3836.1-2010 <explosion environment first parts: general requirements for equipment> and GB3836.2-2010 <explosive environment-parts second: equipment protected by flameproof enclosure D>

Specification



Type	Voltage	Power	Size	Ex-proof Symbol	Weight
edyF201	110/220V 50/60Hz	1x20W	852x650x450	Exd II CT5 Gb	6.5kg
edyF202	110/220V 50/60Hz	2x20W	852x650x450	Exd II CT5 Gb	6.8kg
edyF401	110/220V 50/60Hz	1x40W	1455x240x1100	Exd II CT5 Gb	8.5kg
edyF402	110/220V 50/60Hz	2x40W	1455x240x1101	Exd II CT5 Gb	8.8kg